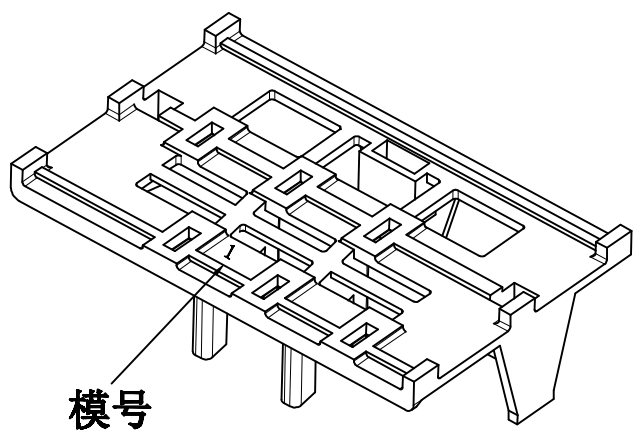
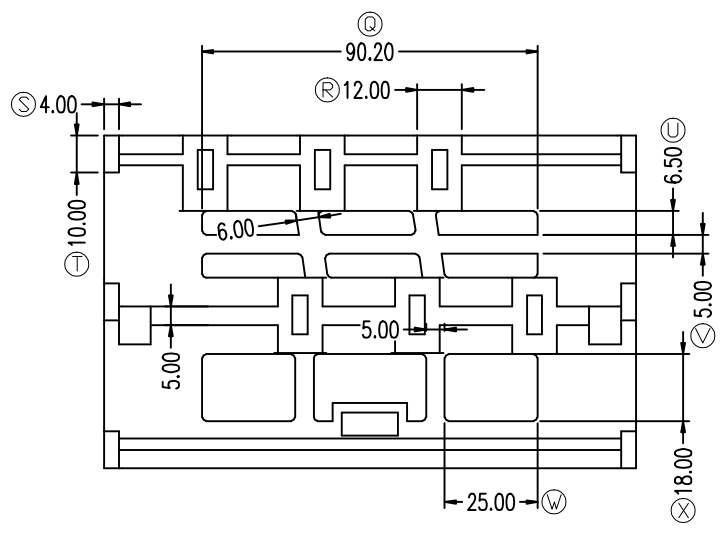
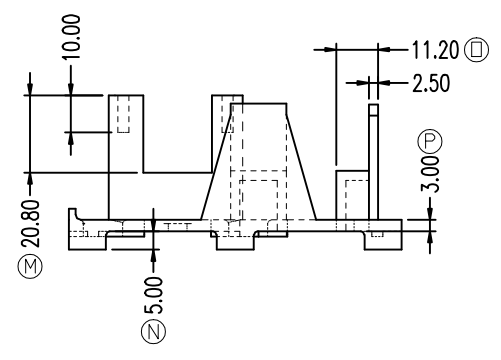
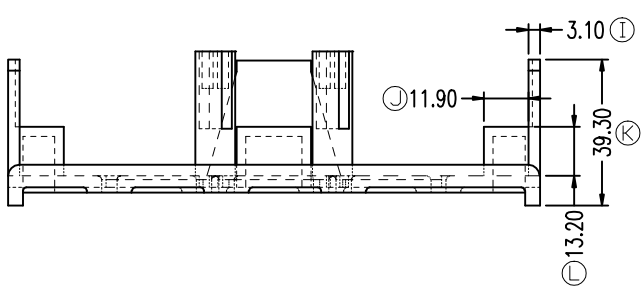
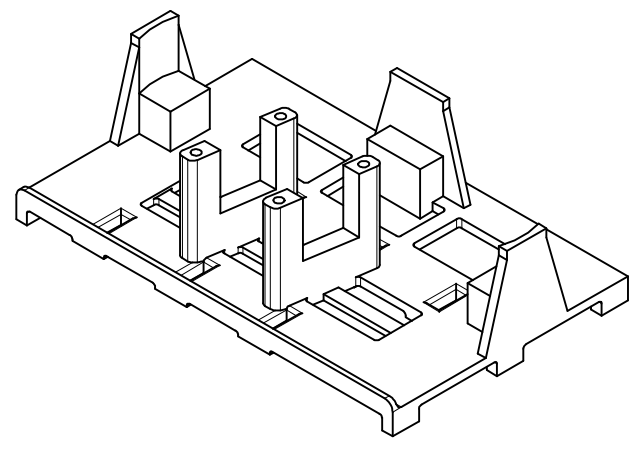
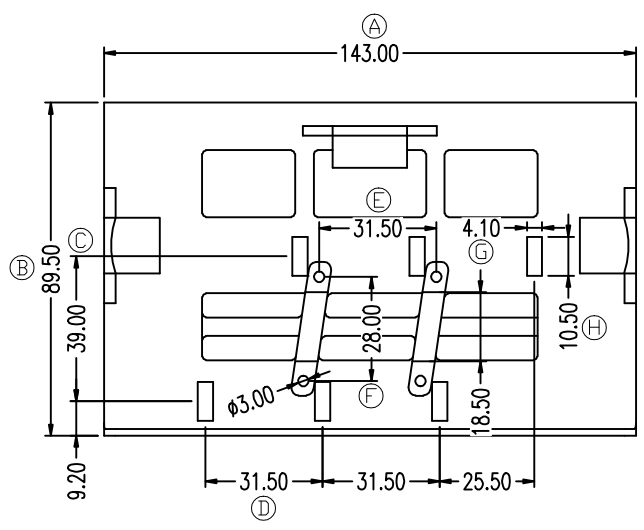


ZX-B148



REV.	REVISIONS	REC.	DATE	REV.	REVISIONS	REC.	DATE
1				4			
2				5			
3				6			
DRAWN & DRAFTED BY		LIU WEI QIANG		TOLERANCES		ANGLE: $\pm 1^\circ$	
CHECKED & APPROVED BY		LIN JUN		0 < L ≤ 4 ±0.1		pin pitch	
				4 < L ≤ 16 ±0.2		UNIT: MM	
				16 < L ≤ 63 ±0.3		TITLE: 底座1	
智信电子塑胶有限公司				SCALE:		BOBBIN MATERIAL: PHENOLIC	
ZHI XIN ELECTRONICS PLASTIC CO., LTD.						UL REC. UL 94V-0	
TEL:0769-86389901-2 FAX:0769-86389903				DATE: 2022.11.19		DRAWING NO. ZX-B148	
						PIN TENSION LOAD:	
						REV. A01	