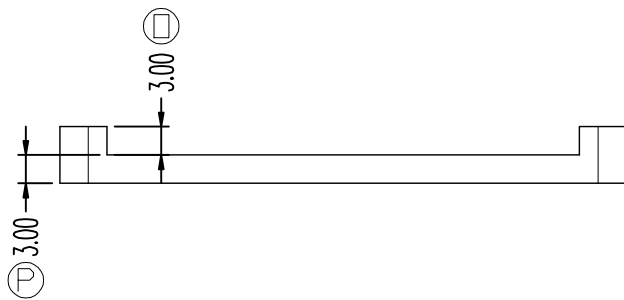
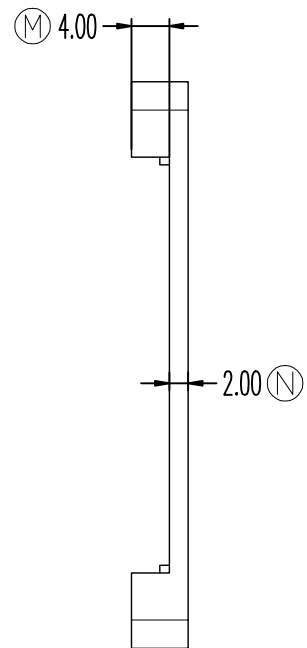
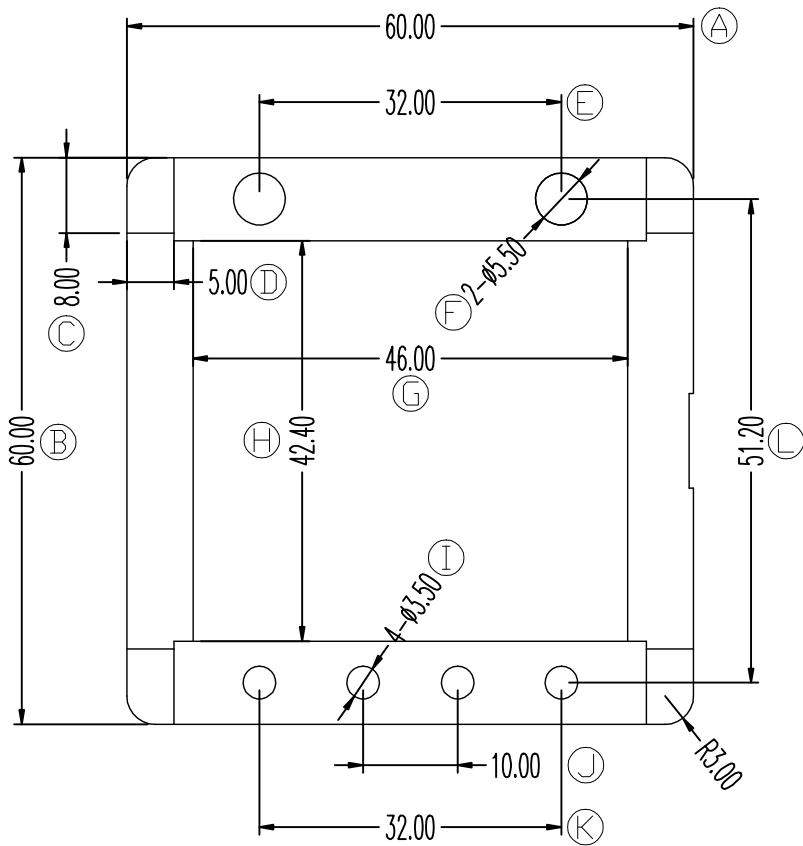
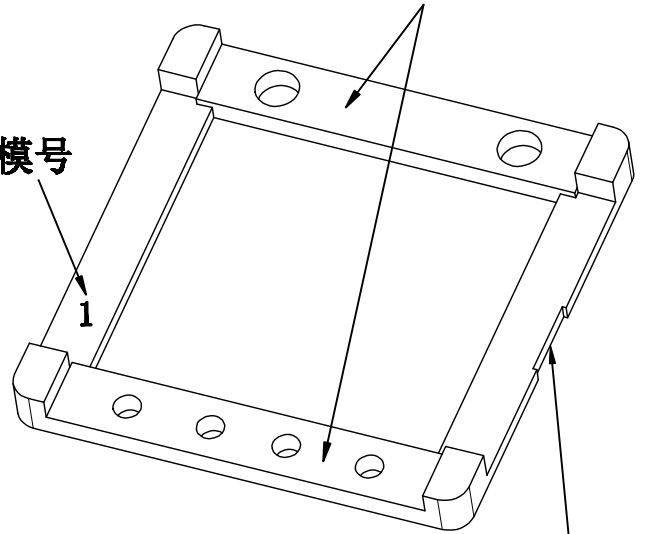


ZX-B143



这两边加胶1.00mm

模号



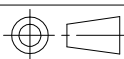
进胶缺口

REV.	REVISIONS	REC.	DATE	REV.	REVISIONS	REC.	DATE
1	两边加胶1.00mm		2023.02.01	4			
2				5			
3				6			
DRAWN & DRAFTED BY		LIU WEI QIANG		TOLERANCES		ANGLE: $\pm 1^\circ$	
CHECKED & APPROVED BY		LIN JUN		0 < L ≤ 4 ±0.1		TITLE: DZ57Q12154-T	
				4 < L ≤ 16 ±0.2		BOBBIN MATERIAL: PHENOLIC	
				16 < L ≤ 63 ±0.3		UL REC. UL 94V-0	
				pin pitch ±0.2		PIN MATERIAL:	
				UNIT: MM		PIN TENSION LOAD:	
				SCALE:		DATE: 2023.02.01	
				DRAWING NO. ZX-B143		REV. A02	



智信电子塑胶有限公司

ZHI XIN ELECTRONICS PLASTIC CO., LTD.
TEL:0769-86389901-2 FAX:0769-86389903



DATE: 2023.02.01

DRAWING NO. ZX-B143

REV. A02