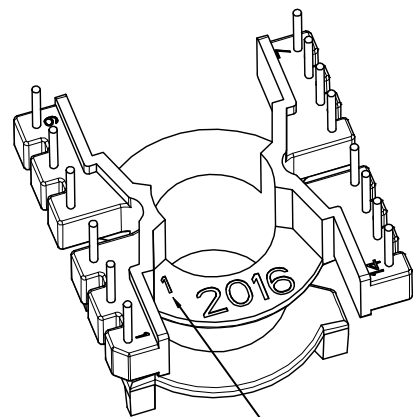
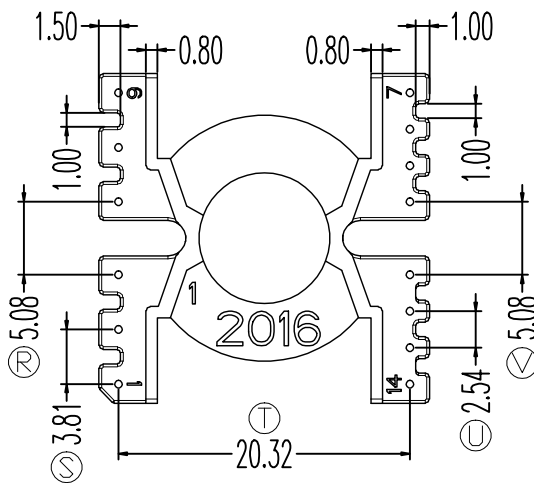
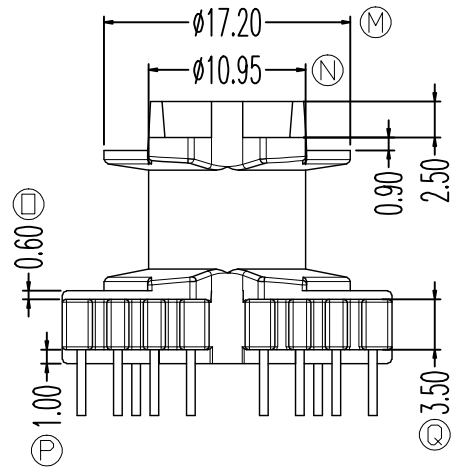
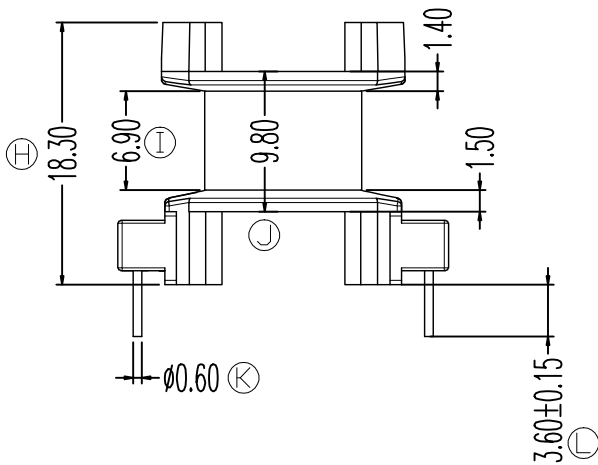
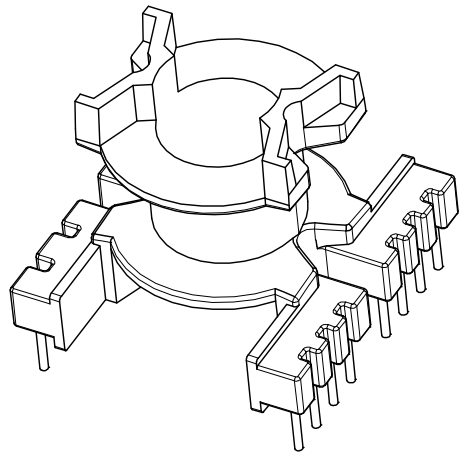
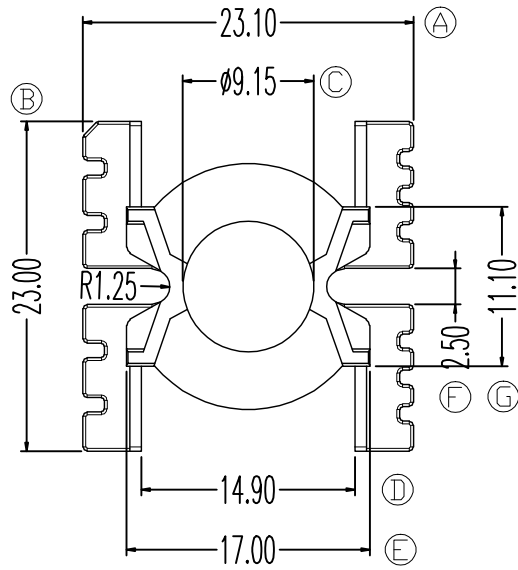


ZX-20DD



模号

REV.	REVISIONS REC.		DATE	REV.	REVISIONS REC.		DATE
1				4			
2				5			
3				6			
DRAWN & DRAFTED BY		LIU WEI QIANG		TOLERANCES		ANGLE: ±1°	
CHECKED & APPROVED BY		LIN JUN		pin pitch ±0.2		TITLE: PQ-2016(6+8P)	
				UNIT: MM		BOBBIN MATERIAL: PHENOLIC	
				SCALE:		UL REC. UL 94V-0	
						PIN MATERIAL: CP WIRE	
						PIN TENSION LOAD: 1.0KG MIN	
				DATE: 2023.04.07		DRAWING NO. ZX-20DD	
						REV. A01	