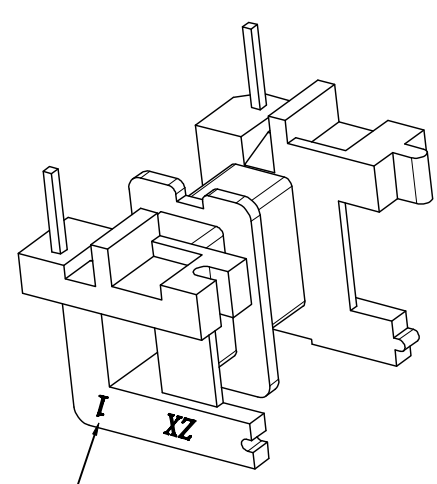
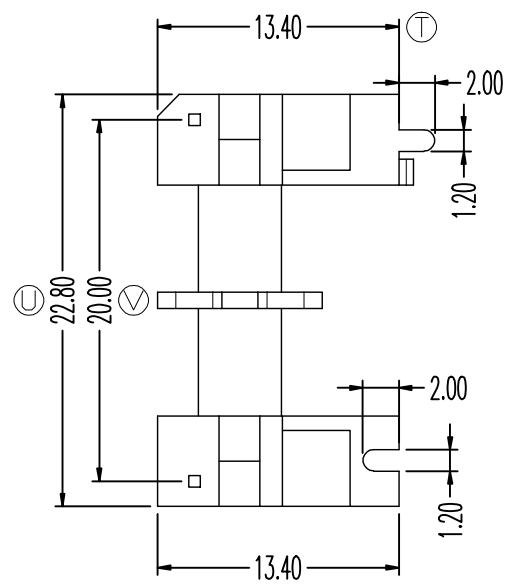
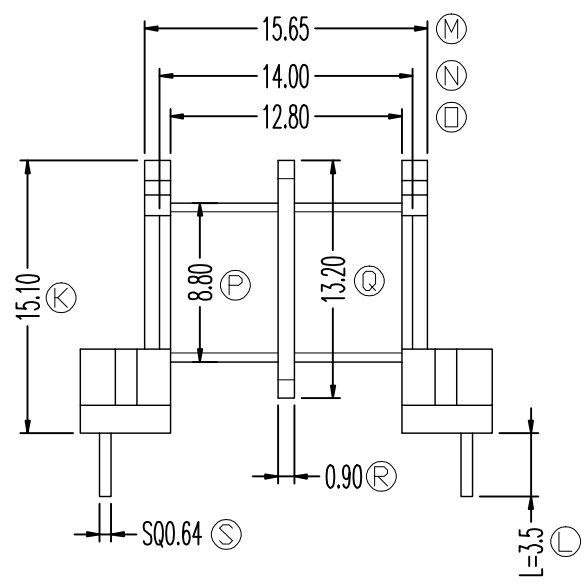
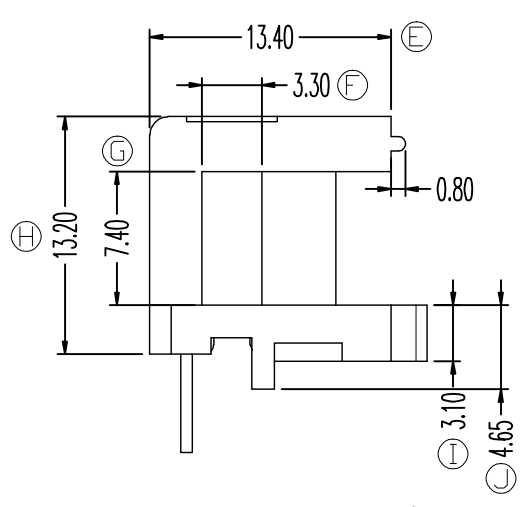
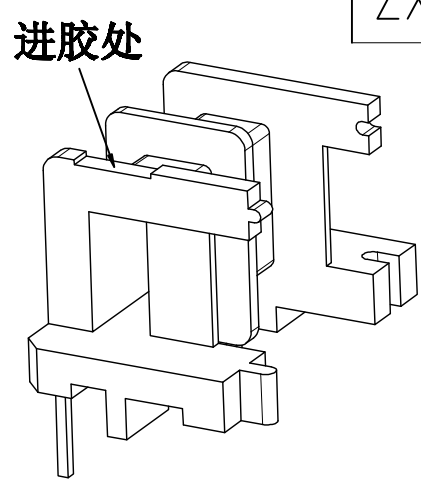
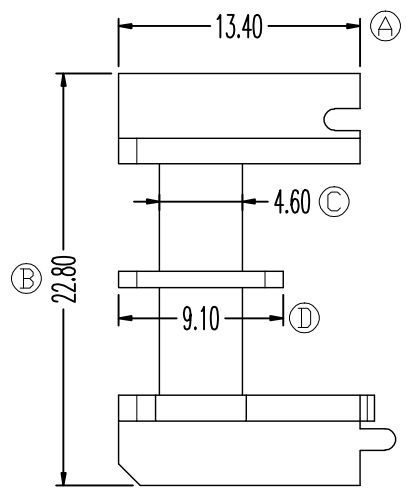


ZX-20DC



REV.	REVISIONS	REC.	DATE	REV.	REVISIONS	REC.	DATE
1				4			
2				5			
3				6			

DRAWN & DRAFTED BY LIU WEI QIANG	TOLERANCES		ANGLE: ±1°	TITLE: EF-20(2P)		
	0<L≤4 ±0.1	pin pitch		BOBBIN MATERIAL: PHENOLIC	UL REC. UL 94V-0	
CHECKED & APPROVED BY LIN JUN	4<L≤16 ±0.2	±0.2	UNIT: MM	PIN MATERIAL: CP WIRE	PIN TENSION LOAD: 1.0KG MIN	
智信电子塑胶有限公司 ZHI XIN ELECTRONICS PLASTIC CO., LTD. TEL:0769-86389901-2 FAX:0769-86389903			SCALE:	DATE: 2023.03.22	DRAWING NO. ZX-20DC	REV. A01