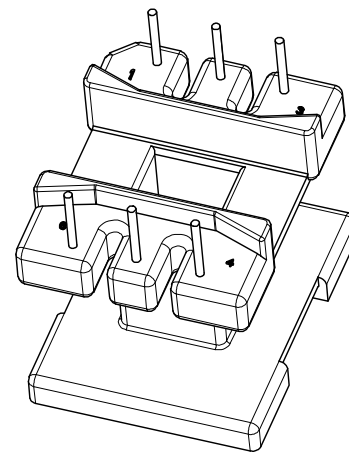
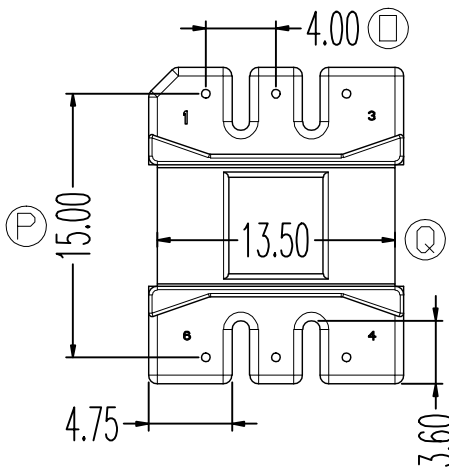
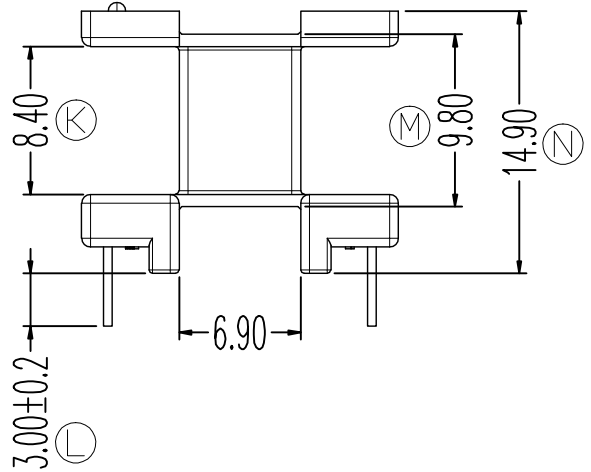
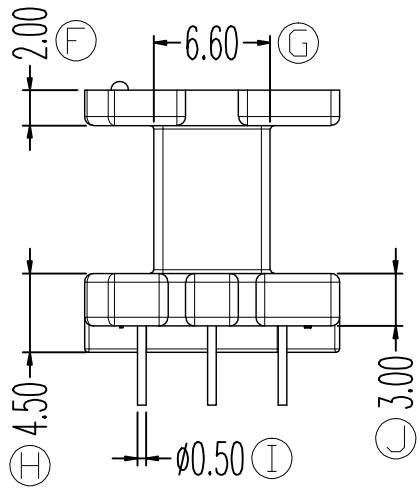
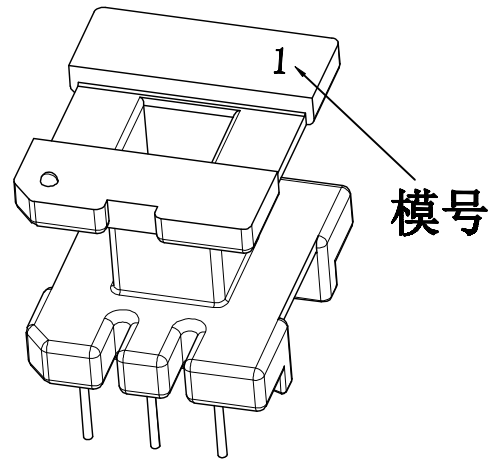
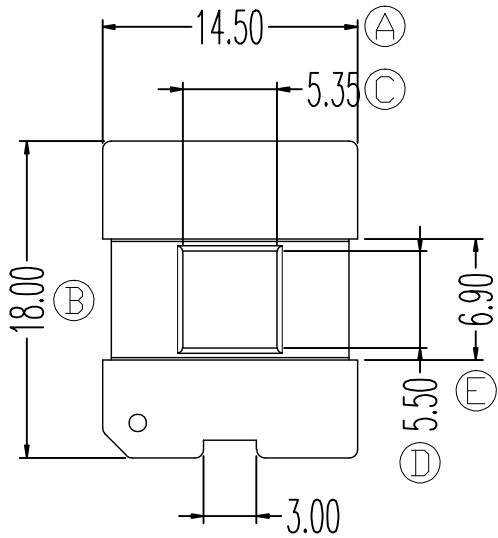


ZX-19BR



REV.	REVISIONS	REC.	DATE	REV.	REVISIONS	REC.	DATE
1				4			
2				5			
3				6			
DRAWN & DRAFTED BY		LIU WEI QIANG		TOLERANCES		ANGLE: $\pm 1^\circ$	
CHECKED & APPROVED BY		LIN JUN		$0 < L \leq 4 \pm 0.1$ $4 < L \leq 16 \pm 0.2$ $16 < L \leq 63 \pm 0.3$		UNIT: MM SCALE:	
智信电子塑胶有限公司 ZHI XIN ELECTRONICS PLASTIC CO., LTD. TEL: 0769-86389901-2 FAX: 0769-86389903				模号 EI-19 (3+3P)		BOBBIN MATERIAL: PHENOLIC UL REC. UL 94V-0 PIN MATERIAL: CP WIRE PIN TENSION LOAD: 0.8KG MIN	
				DATE: 2022.12.17		DRAWING NO. ZX-19BR	
						REV. A01	