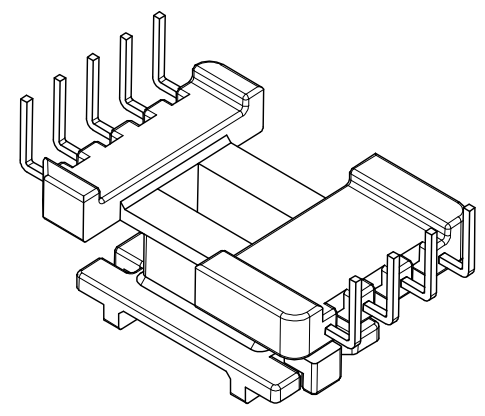
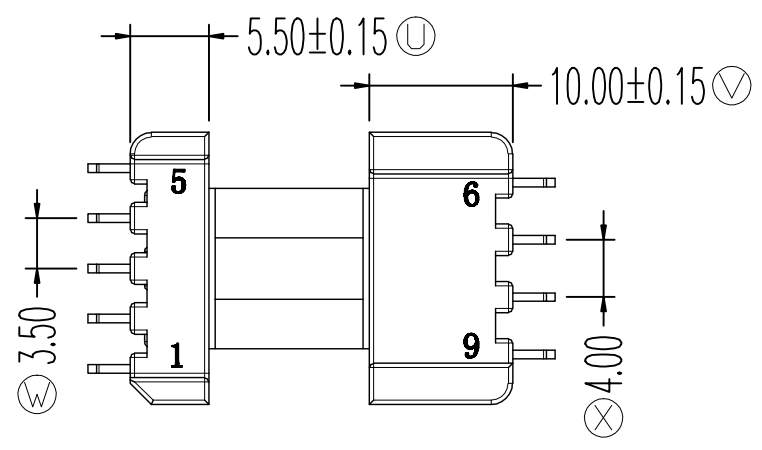
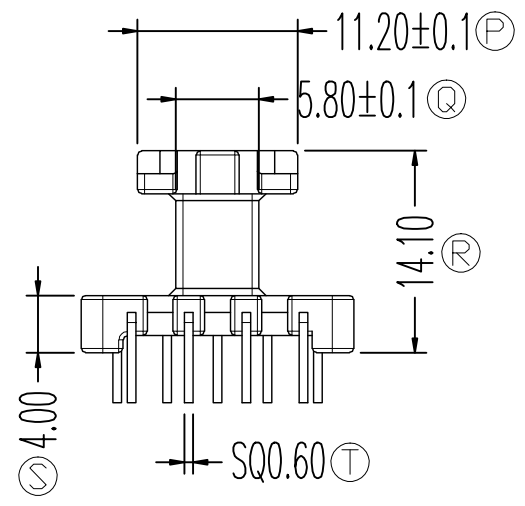
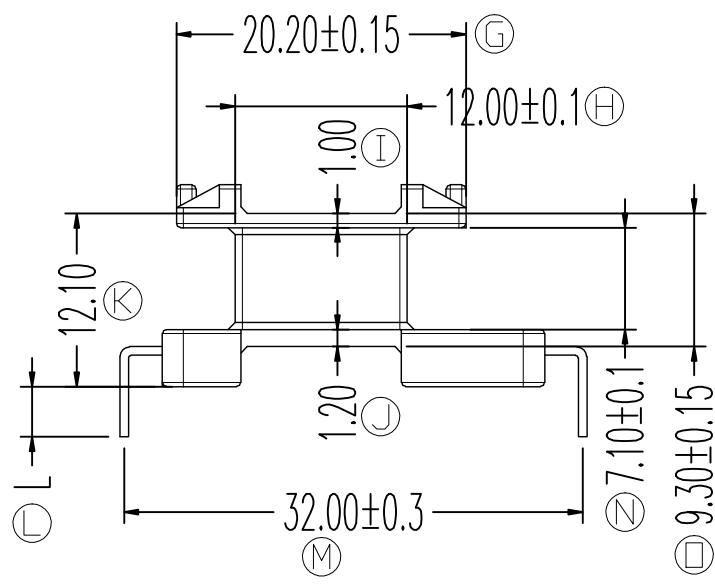
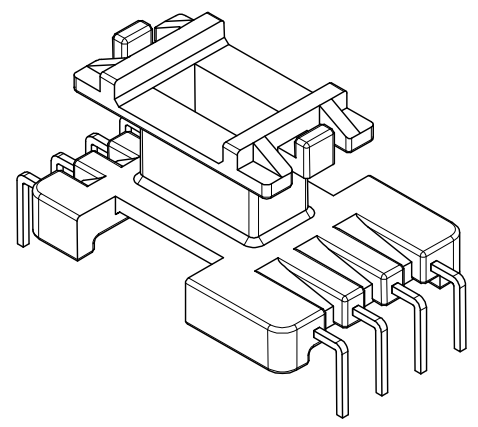
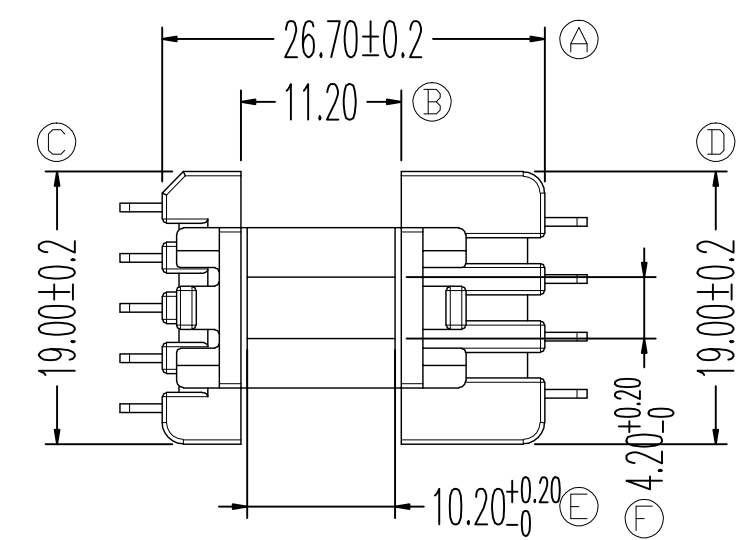


ZX-16DJ



REV.	REVISIONS	REC.	DATE	REV.	REVISIONS	REC.	DATE
1				4			
2				5			
3				6			
DRAWN & DRAFTED BY		LIU WEI QIANG		TOLERANCES		ANGLE: ±1°	
CHECKED & APPROVED BY		LIN JUN		0<L≤4 ±0.1 4<L≤16 ±0.2 16<L≤63 ±0.3		pin pitch ±0.2	
				UNIT: MM		TITLE: EE-16(5+4P)	
				SCALE:		BOBBIN MATERIAL: PM-9750	
						UL REC. UL 94V-0	
						PIN MATERIAL: CP WIRE	
						PIN TENSION LOAD: 1.0KG MIN	
				DATE: 2023.03.18		DRAWING NO. ZX-16DJ	
						REV. A01	