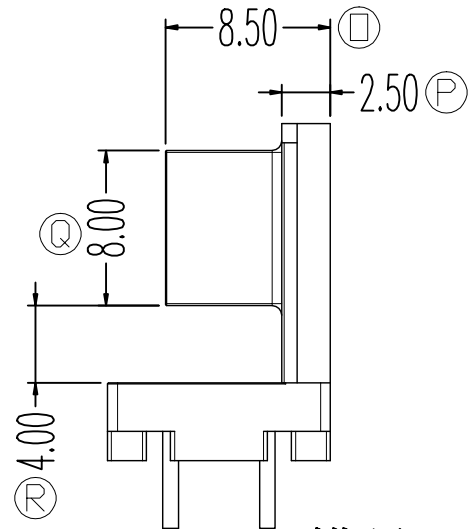
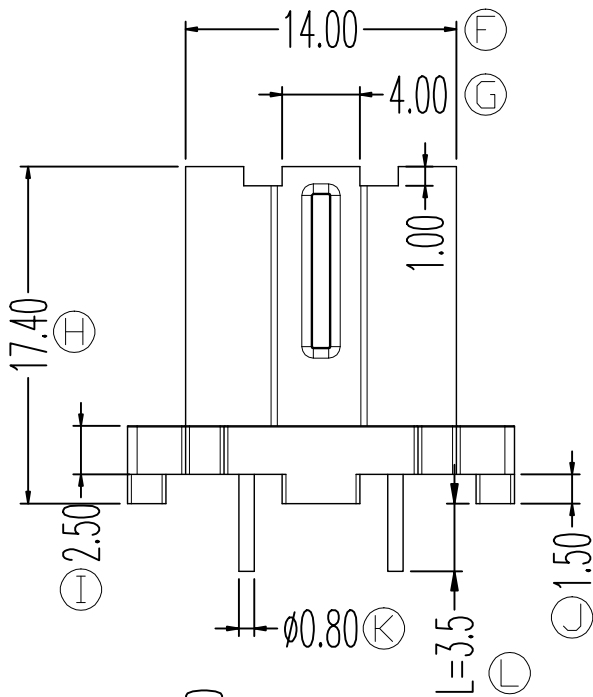
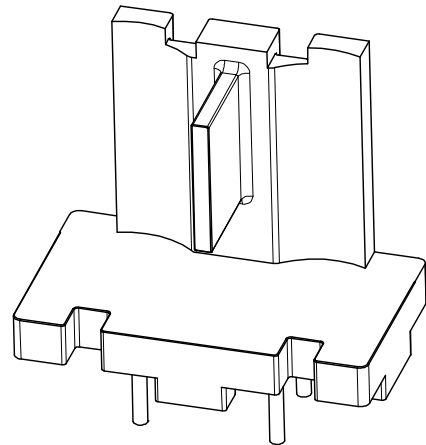
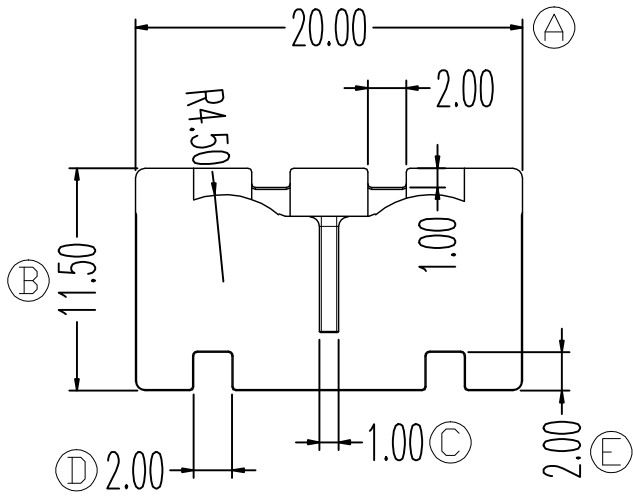
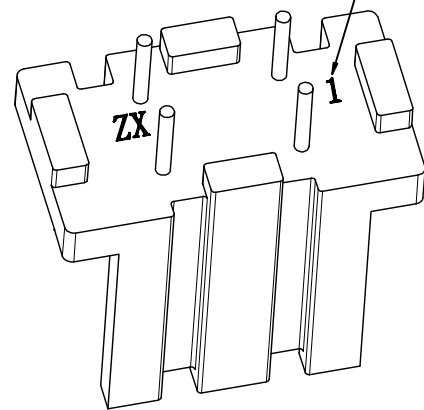
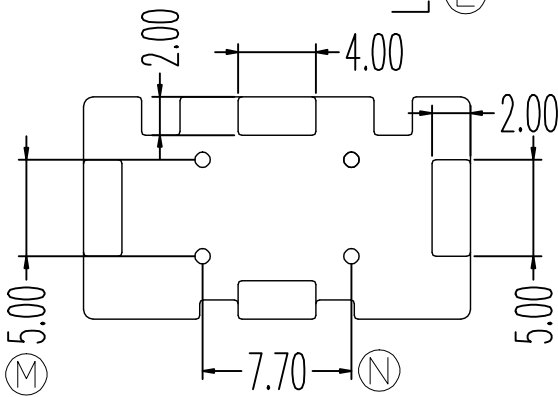


ZX-B140



模号



REV.	REVISIONS	REC.	DATE	REV.	REVISIONS	REC.	DATE
1				4			
2				5			
3				6			
DRAWN & DRAFTED BY		LIU WEI QIANG	TOLERANCES		ANGLE:		TITLE:
CHECKED & APPROVED BY		LIN JUN	0 $L \le 4$ ± 0.1		±1°		SQ1515(4P)
			4 $L \le 16$ ± 0.2		UNIT:		BOBBIN MATERIAL:
			16 $L \le 63$ ± 0.3		MM		PHENOLIC
					SCALE:		UL REC.
							UL 94V-0
					PIN MATERIAL:		PIN TENSION LOAD:
					CP WIRE		1.0KG MIN
					DATE:		DRAWING NO.
					2022.07.22		ZX-B140
							REV.
							A01



智信电子塑胶有限公司
 ZHI XIN ELECTRONICS PLASTIC CO., LTD.
 TEL:0769-86389901-2 FAX:0769-86389903

