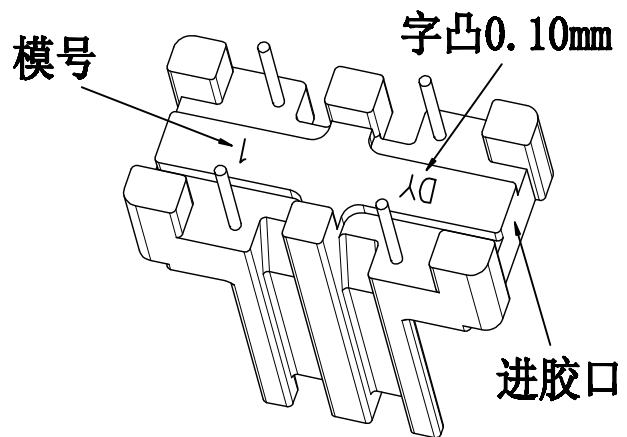
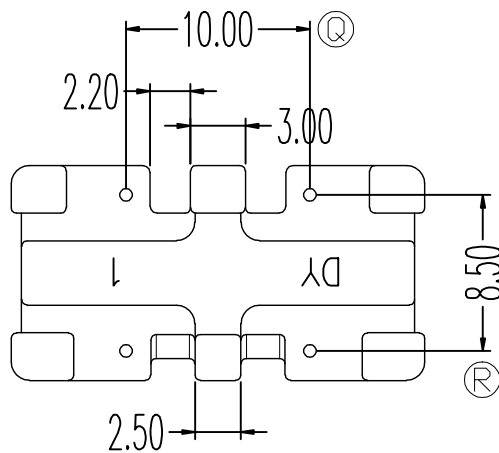
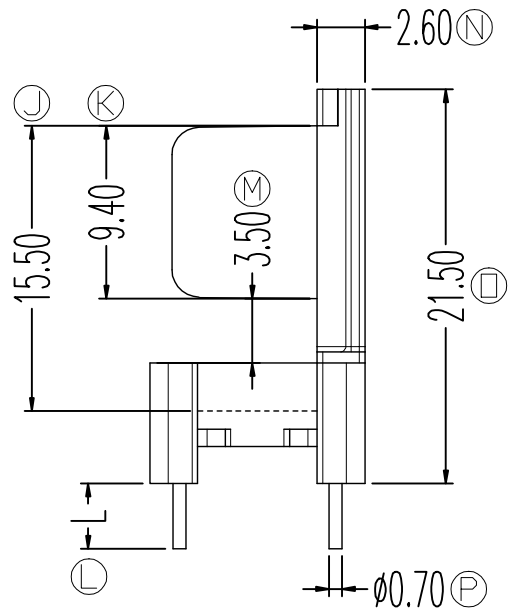
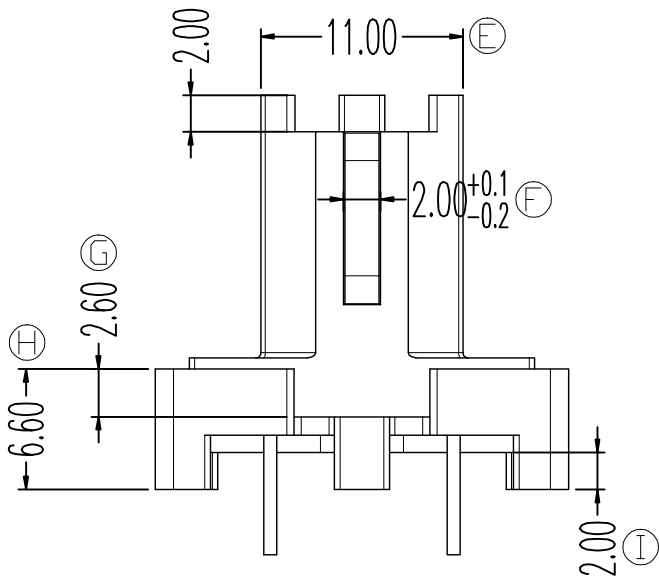
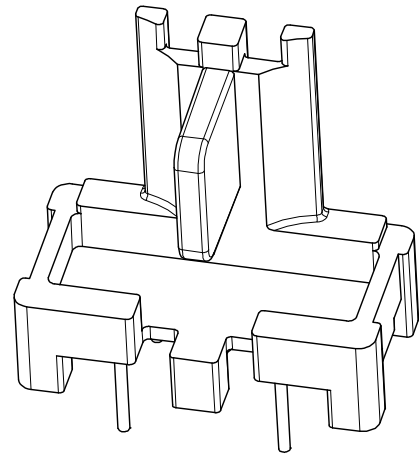
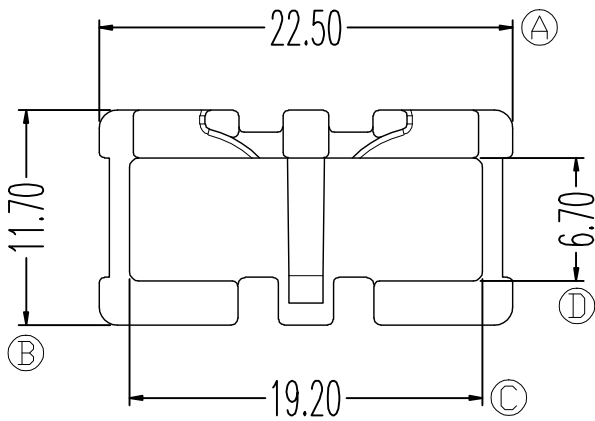


ZX-B142



REV.	REVISIONS	REC.	DATE	REV.	REVISIONS	REC.	DATE
1				4			
2				5			
3				6			

DRAWN & DRAFTED BY LIU WEI QIANG	TOLERANCES 0 $L \le 4$ ± 0.1 4 $L \le 16$ ± 0.2 16 $L \le 63$ ± 0.3	ANGLE: $\pm 1^\circ$	TITLE: SQ1918(4P)		
		UNIT: MM	BOBBIN MATERIAL: PHENOLIC	UL REC. UL 94V-0	
CHECKED & APPROVED BY LIN JUN		SCALE:	PIN MATERIAL: CP WIRE	PIN TENSION LOAD: 2.5KG MIN	
智信电子塑胶有限公司 ZHI XIN ELECTRONICS PLASTIC CO., LTD. TEL:0769-86389901-2 FAX:0769-86389903			DATE: 2022.09.22	DRAWING NO. ZX-B142	REV. A01