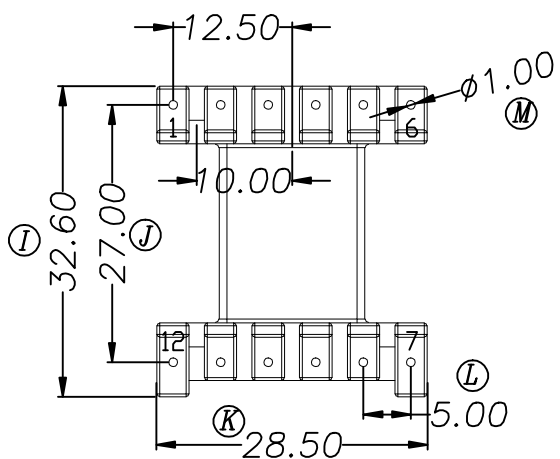
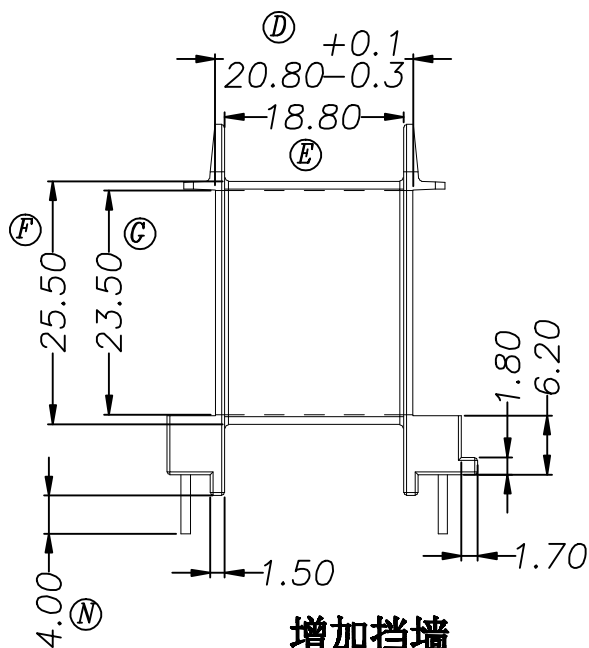
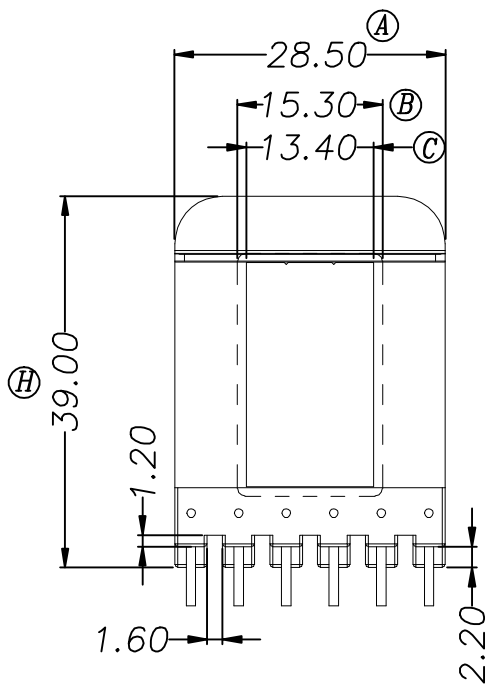
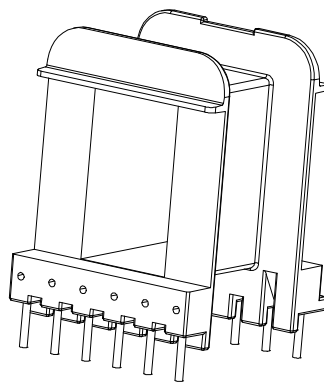
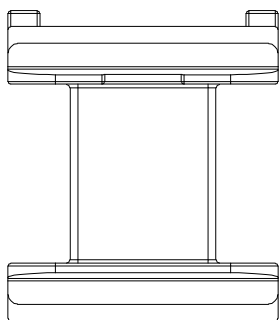
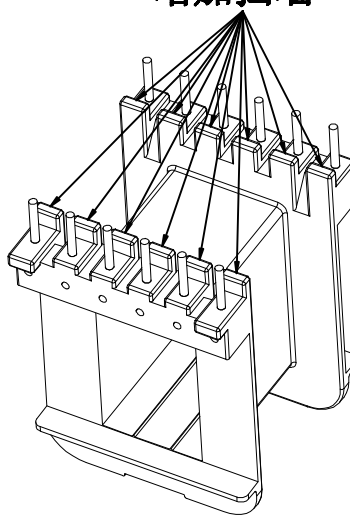


ZX-41L



增加挡墙



REV.	REVISIONS REC.		DATE	REV.	REVISIONS REC.		DATE
1				4			
2				5			
3				6			
DRAWN & DRAFTED BY		LIU WEI QIANG	TOLERANCES		ANGLE:	TITLE: EI-41(6+6P)	
CHECKED & APPROVED BY		LI QI YI	0<L≤4 ±0.1	pin pitch	±1°	BOBBIN MATERIAL: PBT-4130黑色	
			4<L≤16 ±0.2	±0.2	UNIT:	UL REC. UL 94V-0	
			16<L≤63 ±0.3		MM	PIN MATERIAL: CP WIRE	
					SCALE:	PIN TENSION LOAD: 1.5KG MIN	
智信电子塑胶有限公司 ZHI XIN ELECTRONICS PLASTIC CO., LTD. TEL:0769-86389901-2 FAX:0769-86389903				DATE:	2022.10.29	DRAWING NO.	ZX-41L
				REV.			A01