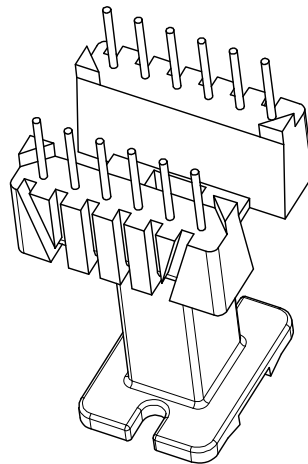
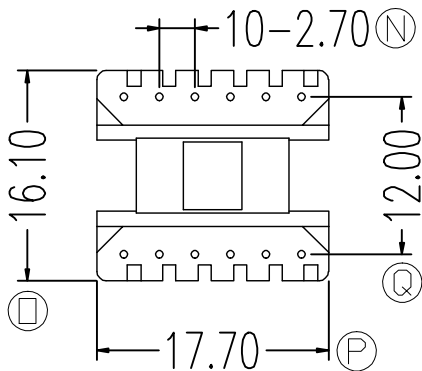
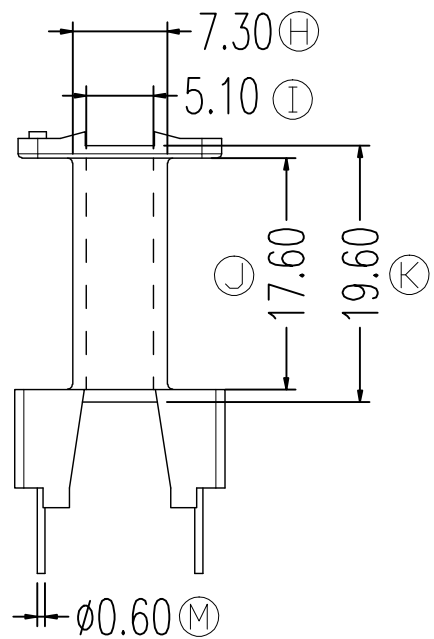
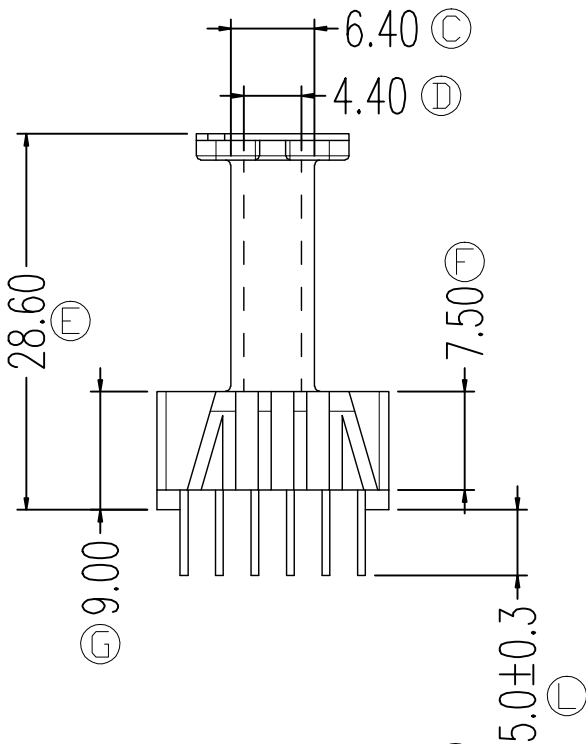
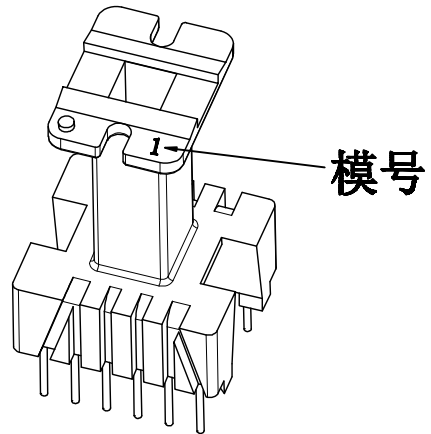
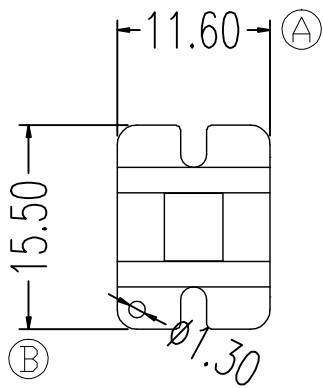


ZX-16DI



REV.	REVISIONS	REC.	DATE	REV.	REVISIONS	REC.	DATE
1				4			
2				5			
3				6			
DRAWN & DRAFTED BY		LIU WEI QIANG		TOLERANCES		ANGLE: ±1°	
CHECKED & APPROVED BY		LIN JUN		0 < L ≤ 4 ±0.1		TITLE: EEL-16(6+6P)	
				4 < L ≤ 16 ±0.2		BOBBIN MATERIAL: PHENOLIC	
				16 < L ≤ 63 ±0.3		UL REC. UL 94V-0	
				UNIT: MM		PIN MATERIAL: CP WIRE	
				SCALE:		PIN TENSION LOAD: 1.0KG MIN	
				DATE: 2022.08.03		DRAWING NO. ZX-16DI	
						REV. A01	



智信电子塑胶有限公司
ZHI XIN ELECTRONICS PLASTIC CO., LTD.
 TEL:0769-86389901-2 FAX:0769-86389903



DATE: 2022.08.03

DRAWING NO.

ZX-16DI

REV. A01