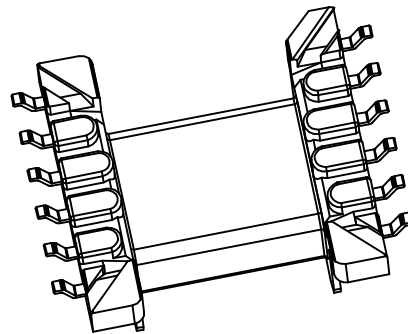
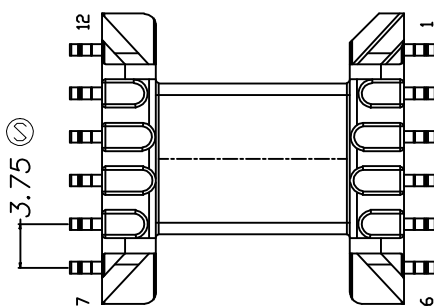
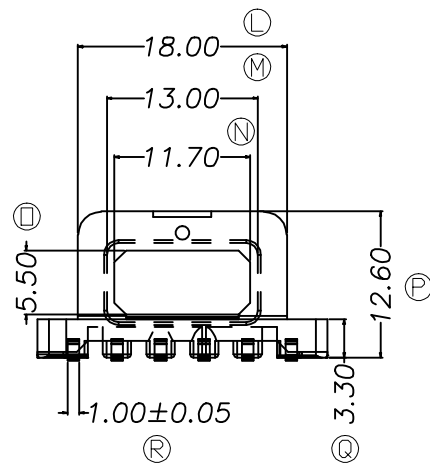
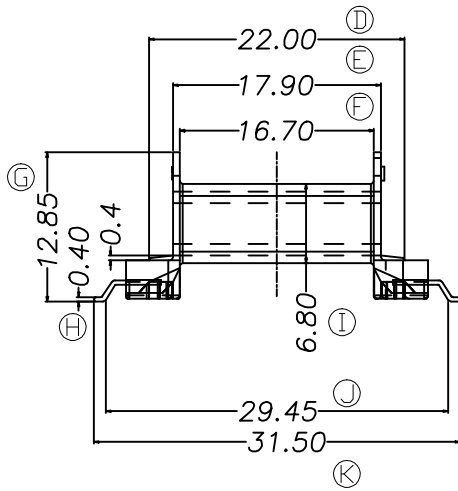
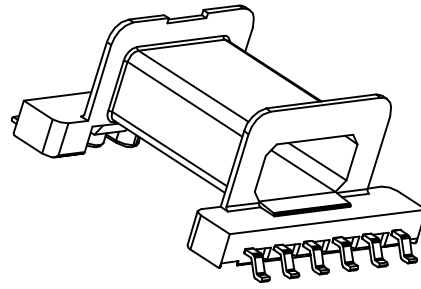
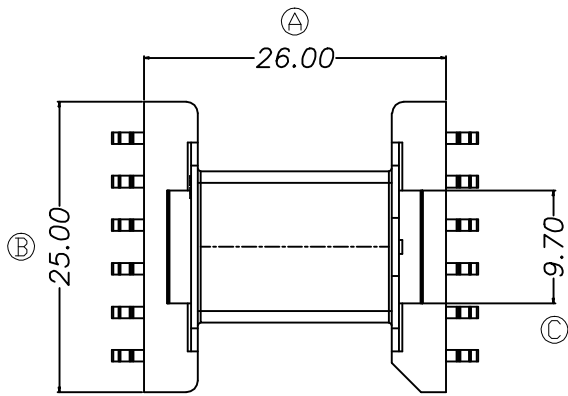


ZXS-25E



REV.	REVISIONS REC.				
1				4	
2				5	
3				6	
DRAWN & DRAFTED BY	LIU WEI QIANG	TOLERANCES		ANGLE:	TITLE:
CHECKED & APPROVED BY	LI QI YI	0<L≤4 ±0.1	pin pitch ±0.2	±1°	EFD-25(6+6P)
		4<L≤16 ±0.2		UNIT:	BOBBIN MATERIAL:
		16<L≤63 ±0.3		MM	PHENOLIC
				SCALE:	UL REC. UL 94V-0
					PIN MATERIAL:
					CP WIRE
					PIN TENSION LOAD:
					0.8KG MIN
				DATE:	DRAWING NO.
				2017.11.23	ZXS-25E
					REV. A01



智信电子塑胶有限公司
 ZHI XIN ELECTRONICS PLASTIC CO., LTD.
 TEL:0769-86389901-2 FAX:0769-86389903

