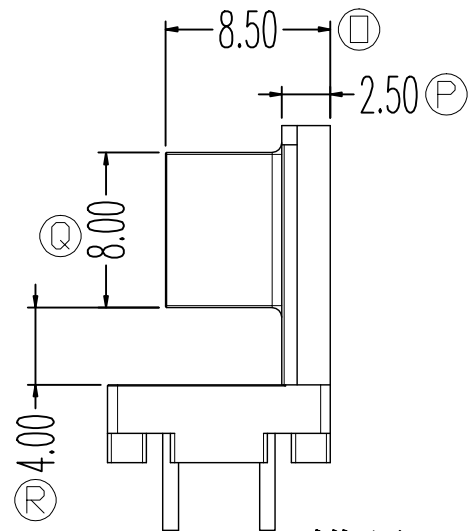
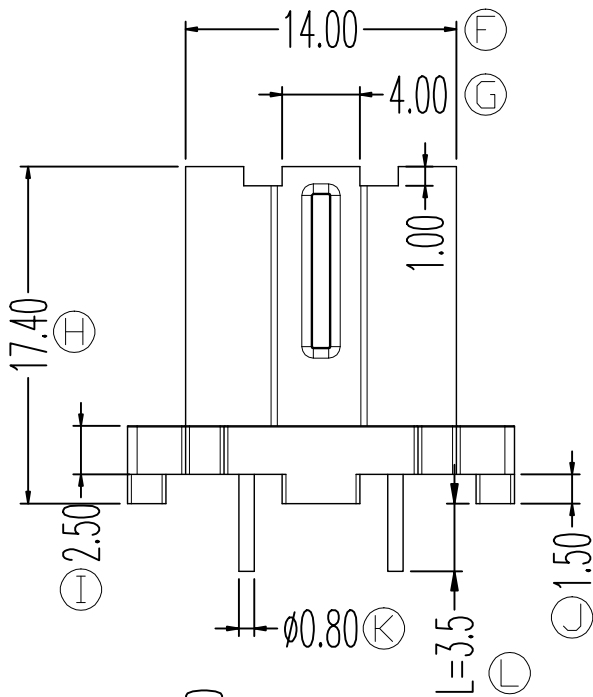
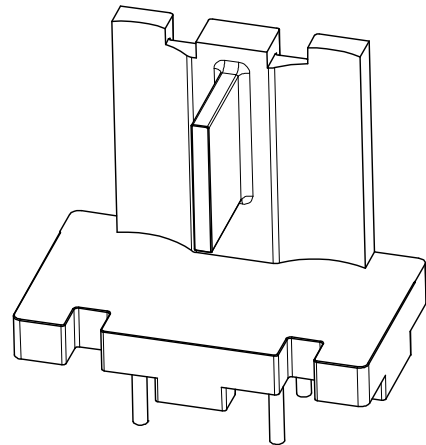
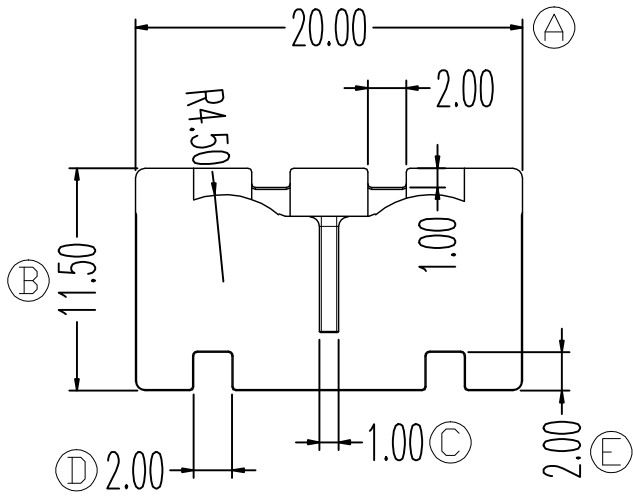
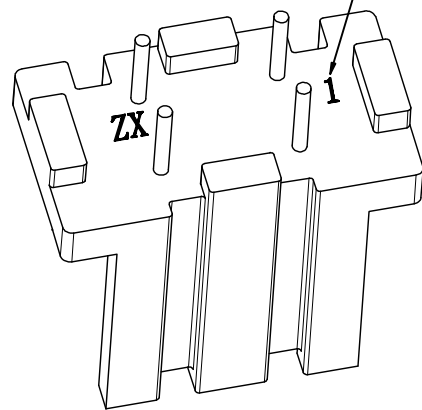
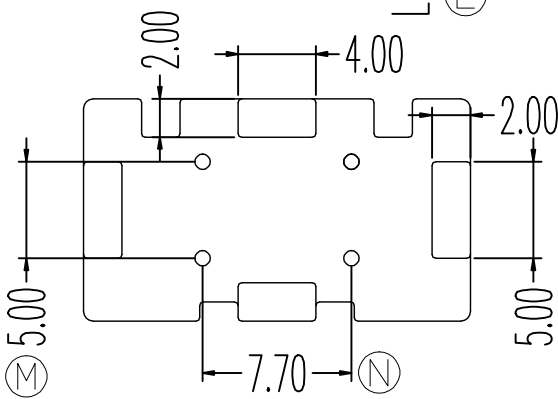


ZX-B140



模号



REV.	REVISIONS	REC.	DATE	REV.	REVISIONS	REC.	DATE	
1				4				
2				5				
3				6				
DRAWN & DRAFTED BY		LIU WEI QIANG	TOLERANCES		ANGLE: $\pm 1^\circ$			TITLE: SQ1515(4P)
CHECKED & APPROVED BY		LIN JUN	0 < L ≤ 4 ±0.1		UNIT: MM		BOBBIN MATERIAL: PHENOLIC	
			4 < L ≤ 16 ±0.2		SCALE:		UL REC. UL 94V-0	
			16 < L ≤ 63 ±0.3		PIN MATERIAL: CP WIRE		PIN TENSION LOAD: 1.0KG MIN	
<b>智信电子塑胶有限公司</b> ZHI XIN ELECTRONICS PLASTIC CO., LTD. TEL:0769-86389901-2 FAX:0769-86389903				DATE: 2022.07.22	DRAWING NO. ZX-B140	REV. A01		