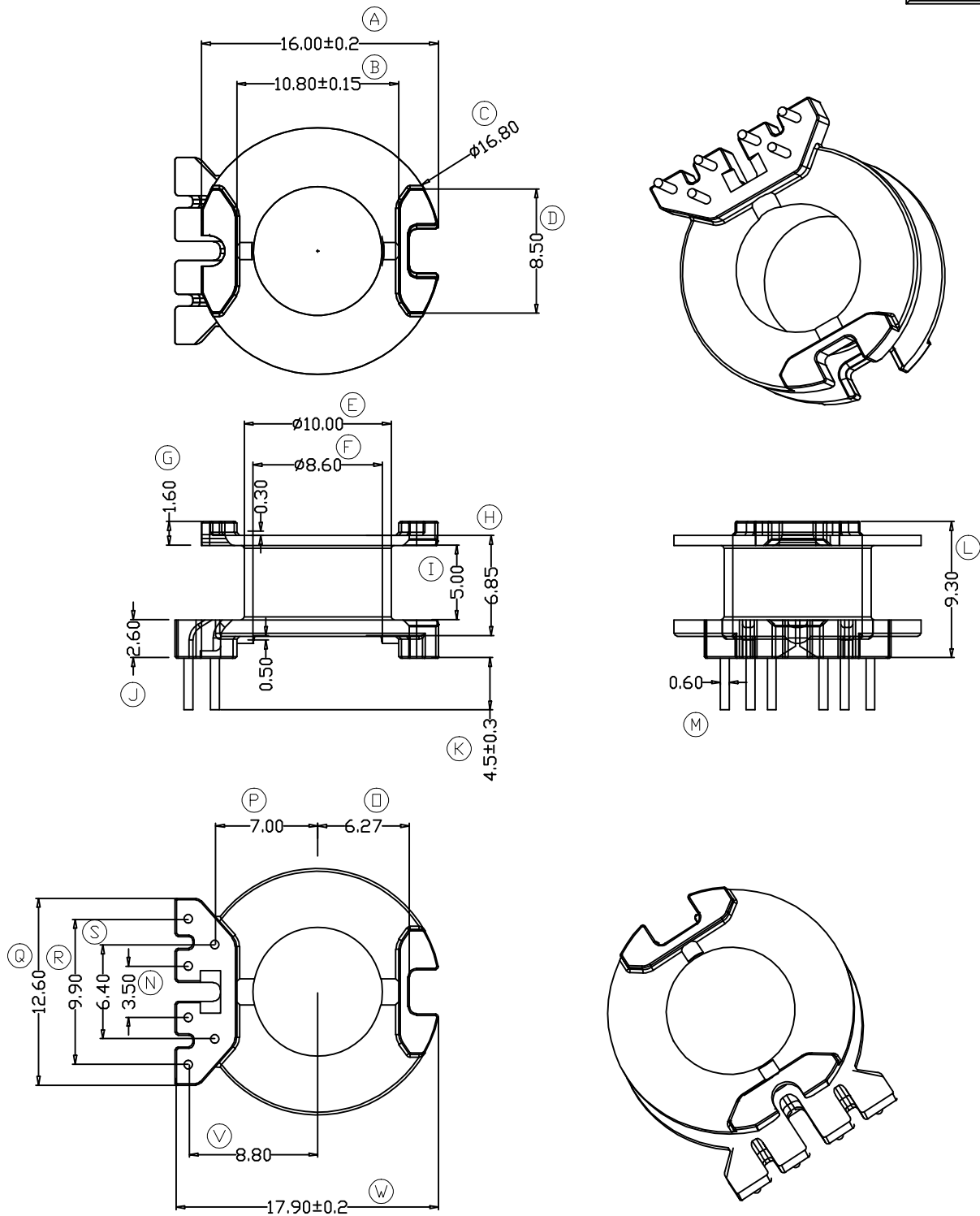


ZX-8J



REV.	REVISIONS REC.	DATE	REV.	REVISIONS REC.	DATE
1			4		
2			5		
3			6		
DRAWN & DRAFTED BY LIU WEI QIANG		TOLERANCES		ANGLE: $\pm 1^\circ$	
CHECKED & APPROVED BY MA BU JIAN		0<L<4 ± 0.1 pin pitch		TITLE: RM-8 (6P)	
		4<L<16 ± 0.2		BOBBIN MATERIAL: PM-9820	
		16<L<63 ± 0.3 ± 0.2		UL REC. UL 94V-0	
		UNIT: MM		PIN MATERIAL: CP WIRE	
		SCALE:		PIN TENSION LOAD: 1.0KG MIN	
智信电子塑胶有限公司 ZHI XIN ELECTRONICS PLASTIC CO., LTD. TEL: 0769-86389901-2 FAX: 0769-86389903		DATE: 2017.04.12		DRAWING NO. ZX-8J	
				REV. A02	