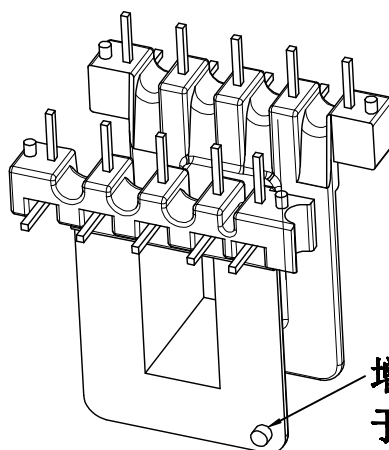
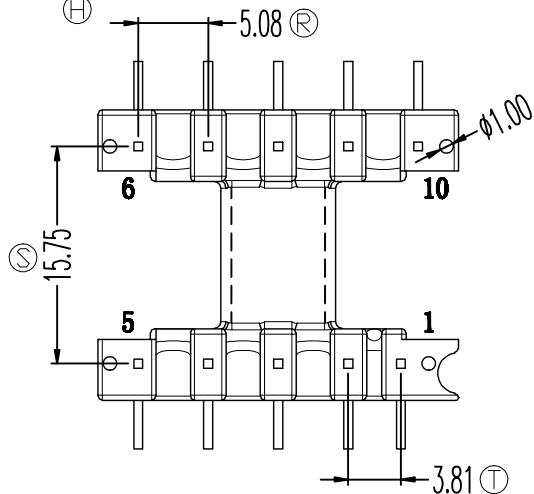
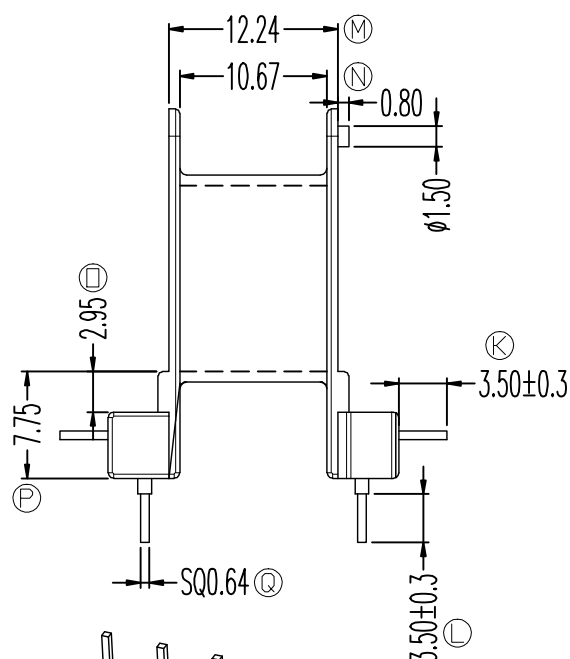
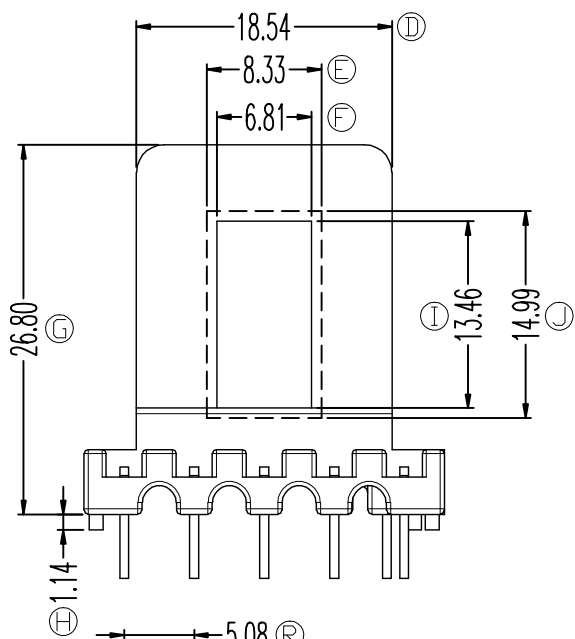
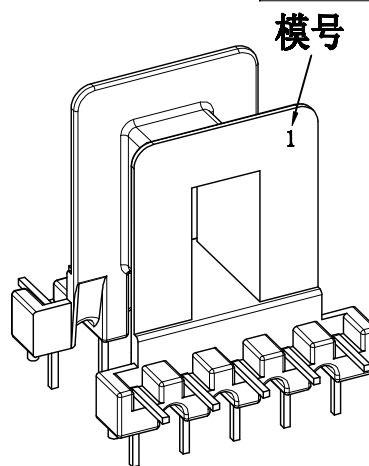
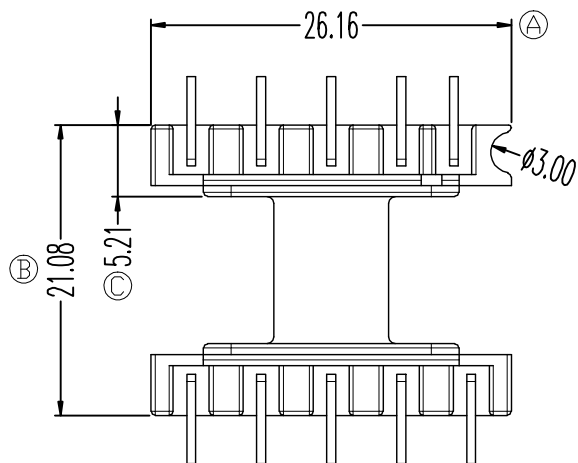


ZX-25CD



增加凸点，便于插针定位

REV.	REVISIONS	REC.	DATE	REV.	REVISIONS	REC.	DATE
1	增加凸点，便于插针定位。		2022.04.28	4			
2				5			
3				6			
DRAWN & DRAFTED BY		LIU WEI QIANG		TITLE:		EE-25(5+5P)	
CHECKED & APPROVED BY		LIN JUN		UNIT:		MM	
TOLERANCES		0<L≤4 ±0.1		BOBBIN MATERIAL:		70G33L	
		4<L≤16 ±0.2		PIN MATERIAL:		CP WIRE	
		16<L≤63 ±0.3		SCALE:			
ANGLE:		±1°		DATE:		2022.04.28	
UNIT:		MM		DRAWING NO.:		ZX-25CD	
SCALE:				REV.:		A02	
DATE:		2022.04.28		PIN TENSION LOAD:		1.0KG MIN	
DRAWING NO.:		ZX-25CD					



智信电子塑胶有限公司
ZHI XIN ELECTRONICS PLASTIC CO., LTD.
TEL:0769-86389901-2 FAX:0769-86389903

