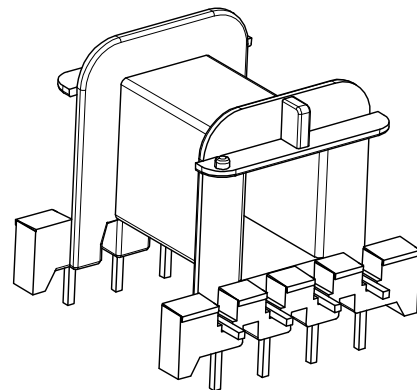
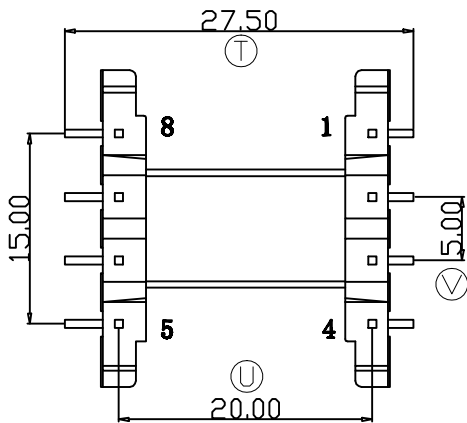
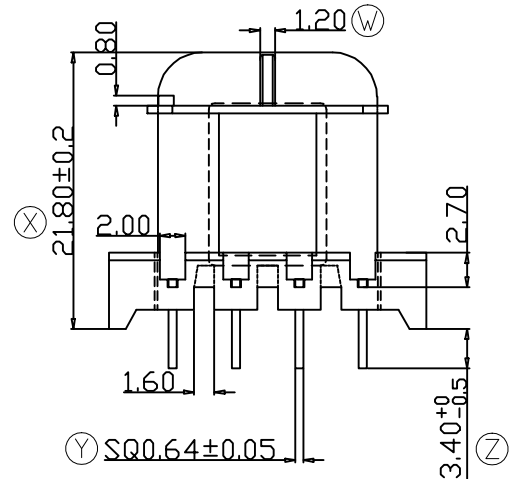
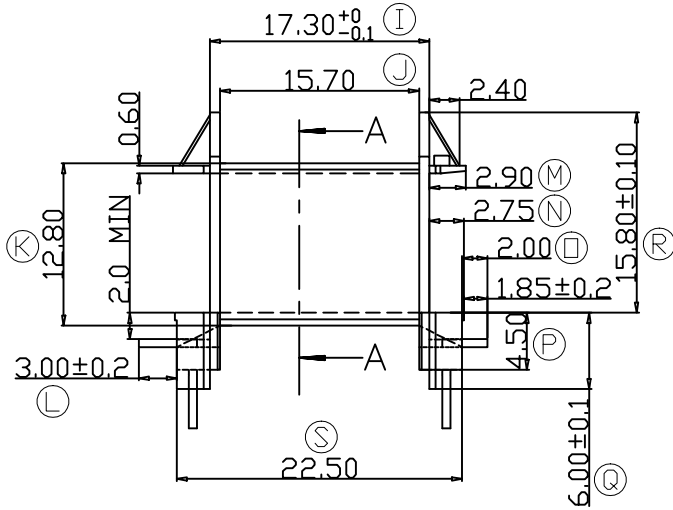
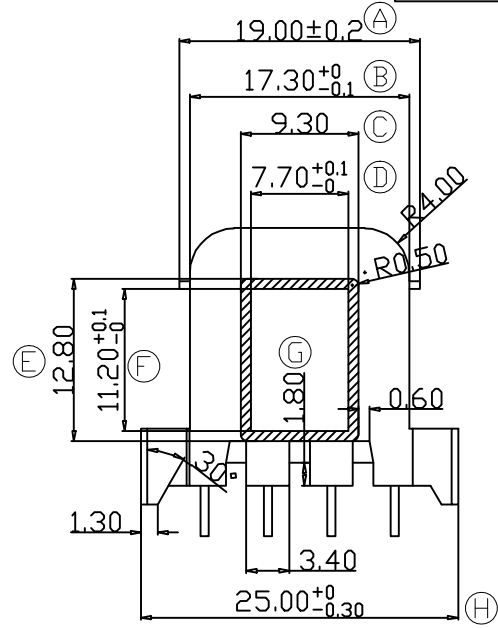
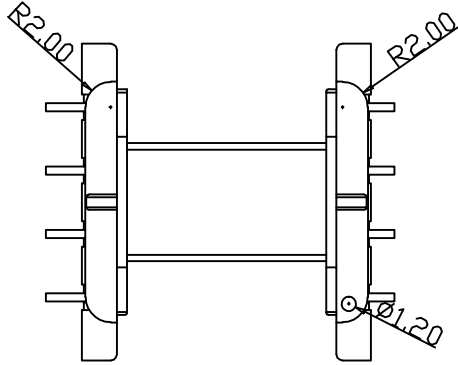


General tolerances:

dimension > 0-1	±0.08mm
> 1-3	±0.09mm
> 3-6	±0.10mm
> 6-10	±0.11mm
> 10-15	±0.13mm
> 15-22	±0.15mm
> 22-30	±0.17mm

未标注尺寸公差
依此公差表检测

ZX-25AE-2



REV.	REVISIONS	REC.	DATE	REV.	REVISIONS	REC.	DATE
1				4			
2				5			
3				6			

DRAWN & DRAFTED BY	LIU WEI QIANG	TOLERANCES	pin pitch ±0.2	ANGLE:	TITLE: EF-25(4+4P)				
	CHECKED & APPROVED BY			LI JUN	UNIT:	MM	BOBBIN MATERIAL:	FR530	UL REC.
				SCALE:	PIN MATERIAL:	CP WIRE	PIN TENSION LOAD:	1.2KG MIN	
智信电子塑胶有限公司 ZHI XIN ELECTRONICS PLASTIC CO., LTD. TEL:0769-86389901-2 FAX:0769-86389903				DATE:	2022.03.29	DRAWING NO.	ZX-25AE-2	REV.	A01