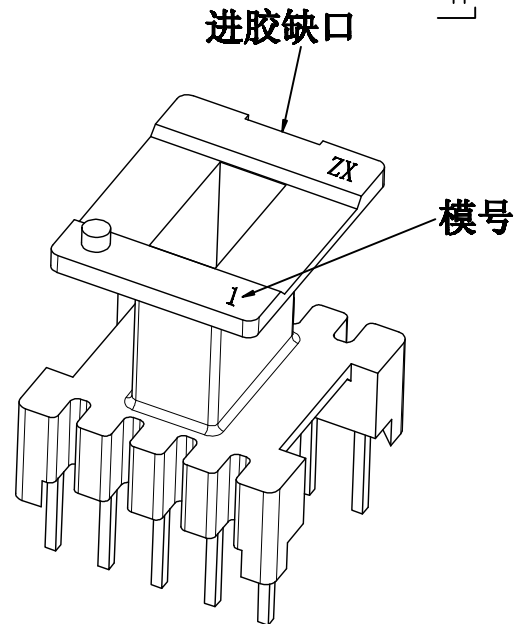
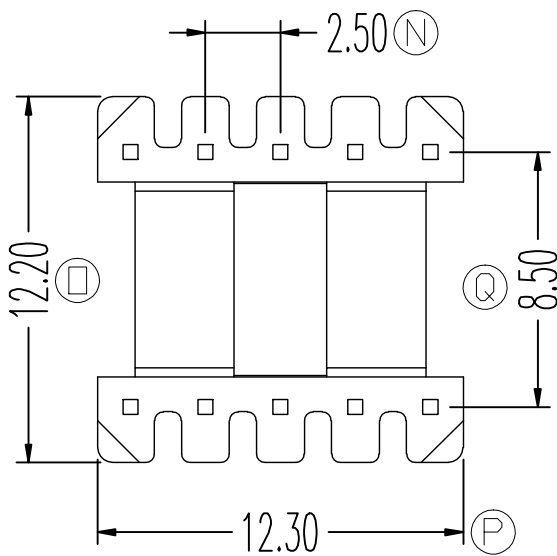
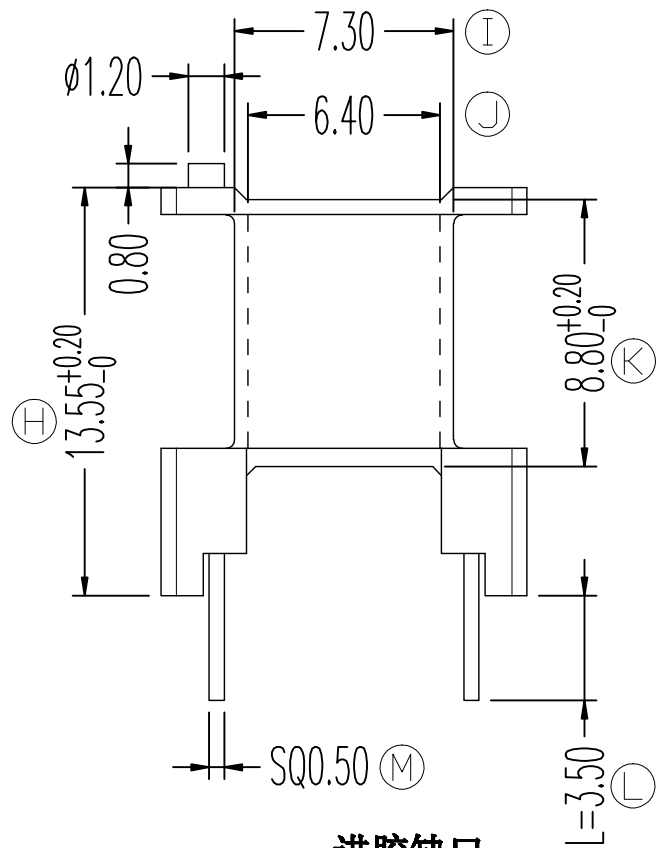
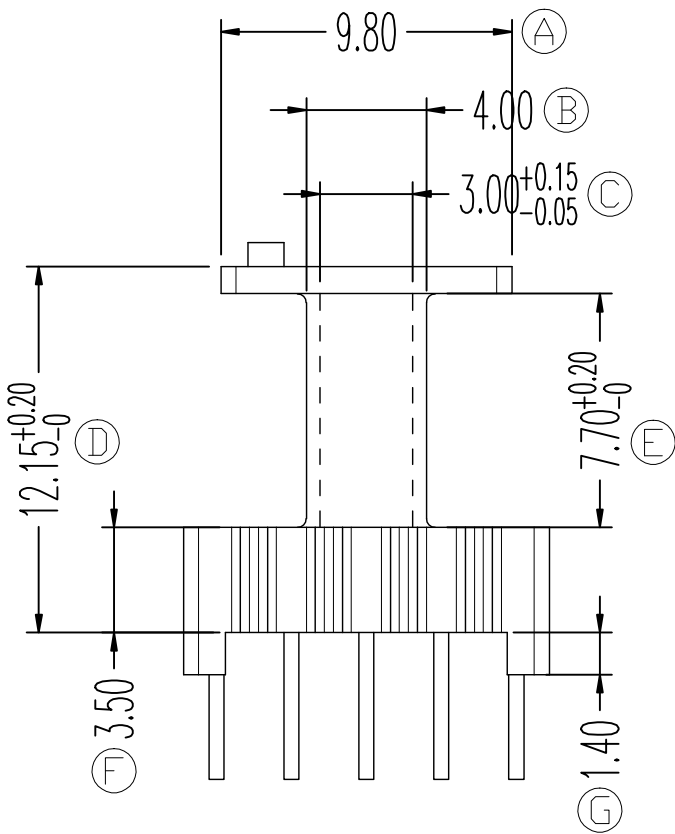


ZX-13J5



REV.	REVISIONS	REC.	DATE	REV.	REVISIONS	REC.	DATE
1				4			
2				5			
3				6			
DRAWN & DRAFTED BY		LIU WEI QIANG	TOLERANCES		ANGLE:		TITLE:
CHECKED & APPROVED BY		LIN JUN	0 < L ≤ 4 ±0.1		±1°		EE-13(5+5P)
			4 < L ≤ 16 ±0.2		UNIT:		BOBBIN MATERIAL:
			16 < L ≤ 63 ±0.3		MM		PHENOLIC
					SCALE:		UL REC.
							UL 94V-0
					PIN MATERIAL:		PIN TENSION LOAD:
					CP WIRE		0.8KG MIN
					DATE:	DRAWING NO.	REV.
					2022.05.04	ZX-13J5	A01



智信电子塑胶有限公司
ZHI XIN ELECTRONICS PLASTIC CO., LTD.
 TEL:0769-86389901-2 FAX:0769-86389903

