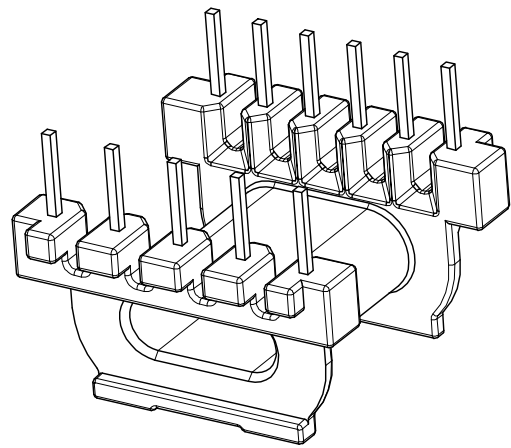
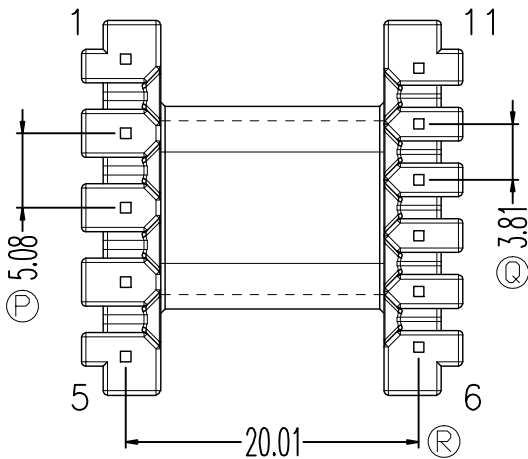
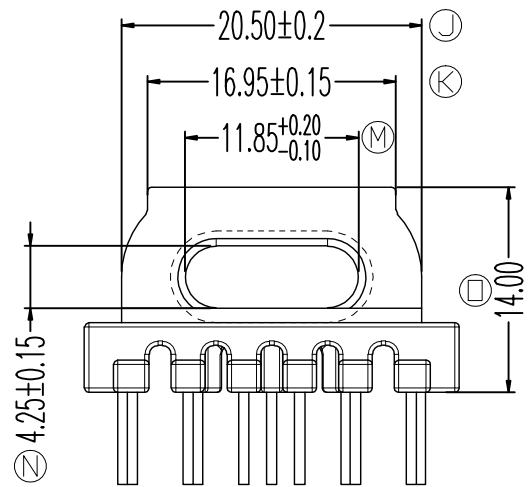
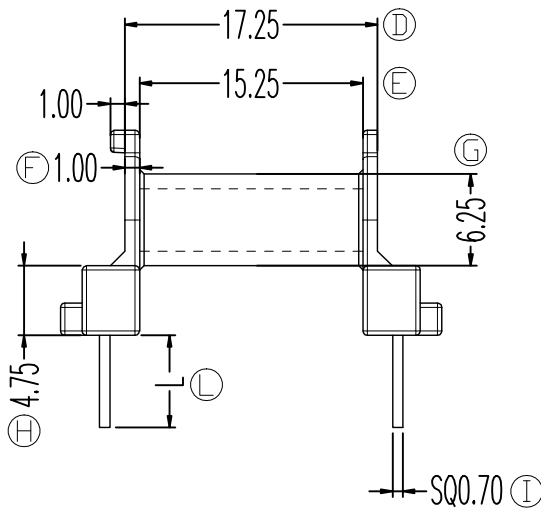
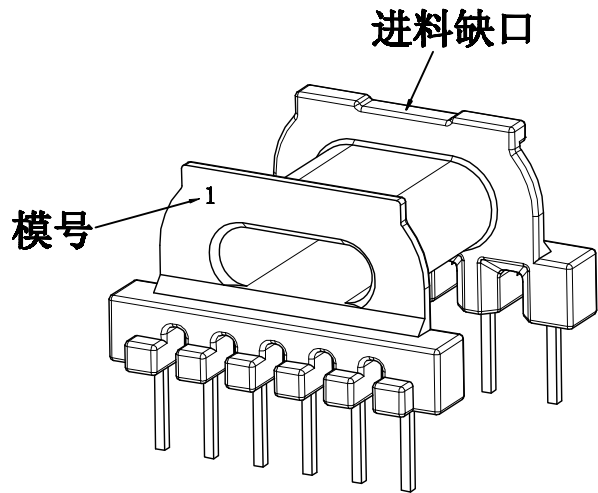
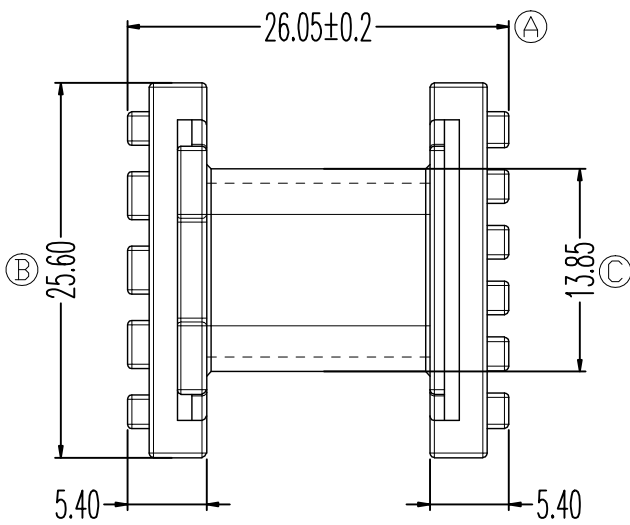


ZX-25CE



对应ZX-25CF

REV.	REVISIONS	REC.	DATE	REV.	REVISIONS	REC.	DATE
1				4			
2				5			
3				6			
DRAWN & DRAFTED BY		LIU WEI QIANG		TOLERANCES		ANGLE: $\pm 1^\circ$	
CHECKED & APPROVED BY		LIN JUN		0<L≤10 ±0.1		TITLE: EPC-25(5+6P)	
				10<L≤20 ±0.2		BOBBIN MATERIAL: PM-9630	
				20<L ±0.3		UL REC. UL 94V-0	
				UNIT: MM		PIN MATERIAL: CP WIRE	
				SCALE:		PIN TENSION LOAD: 1.8KG MIN	
				DATE: 2022.03.02		DRAWING NO. ZX-25CE	
						REV. A01	



智信电子塑胶有限公司  
 ZHI XIN ELECTRONICS PLASTIC CO., LTD.  
 TEL:0769-86389901-2 FAX:0769-86389903

