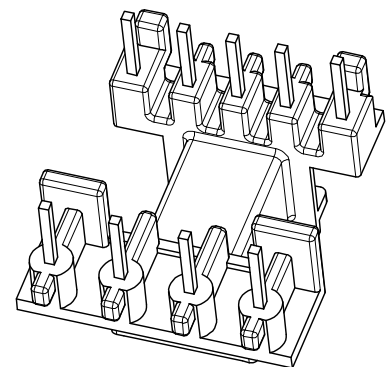
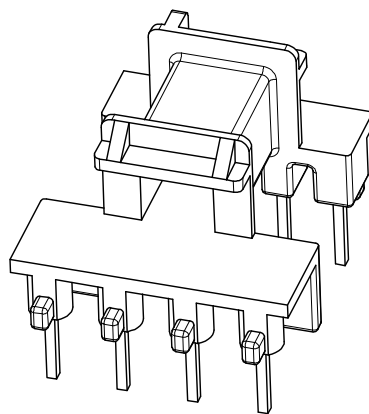
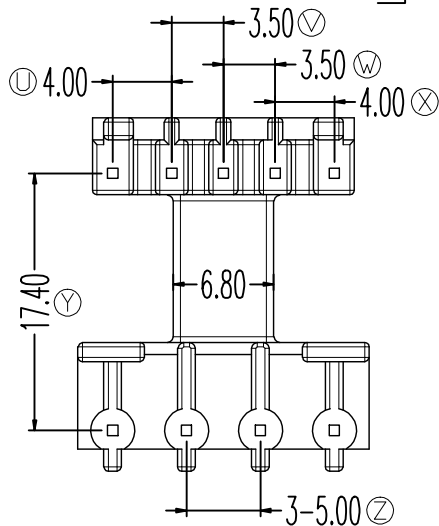
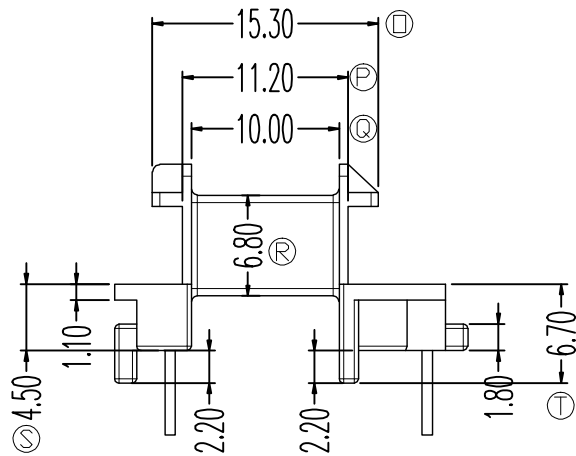
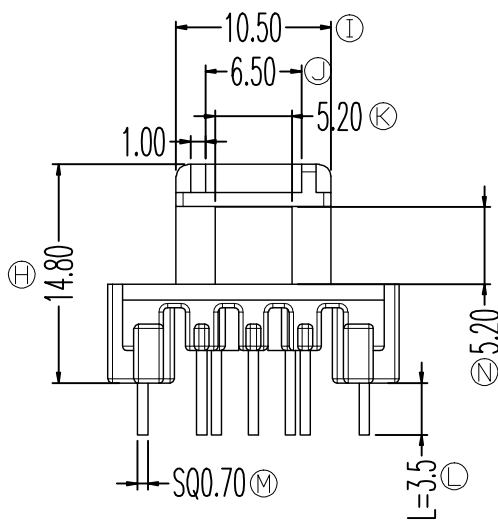
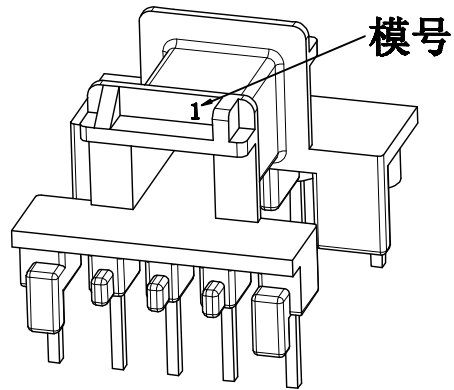
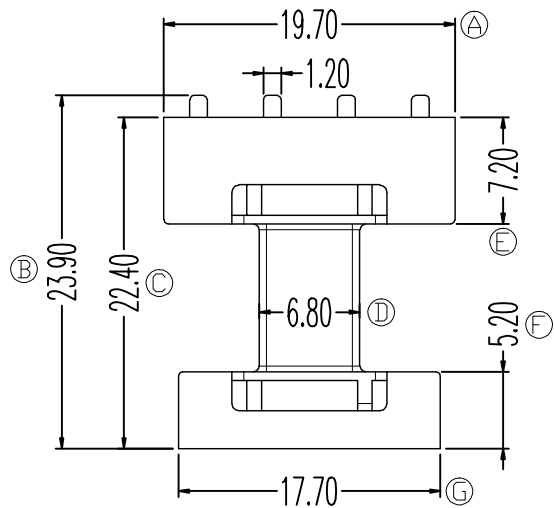


ZX-16DH



REV.	REVISIONS	REC.	DATE	REV.	REVISIONS	REC.	DATE
1				4			
2				5			
3				6			
DRAWN & DRAFTED BY		LIU WEI QIANG	TOLERANCES		ANGLE:	TITLE: EF-16(4+5P)	
CHECKED & APPROVED BY		LIN JUN	0<L<=10 ±0.1		±1°	BOBBIN MATERIAL: PM-9820	
			10<L<=20 ±0.2		UNIT: MM	UL REC. UL 94V-0	
			20<L ±0.3		SCALE:	PIN MATERIAL: CP WIRE	
						PIN TENSION LOAD: 1.2KG MIN	
					DATE: 2022.03.09	DRAWING NO. ZX-16DH	REV. A01



智信电子塑胶有限公司
ZHI XIN ELECTRONICS PLASTIC CO., LTD.
 TEL:0769-86389901-2 FAX:0769-86389903

