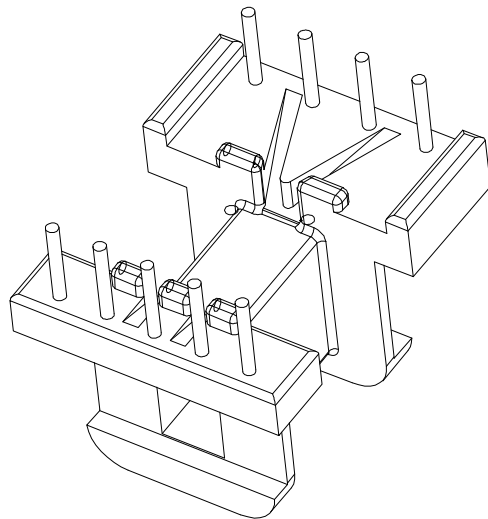
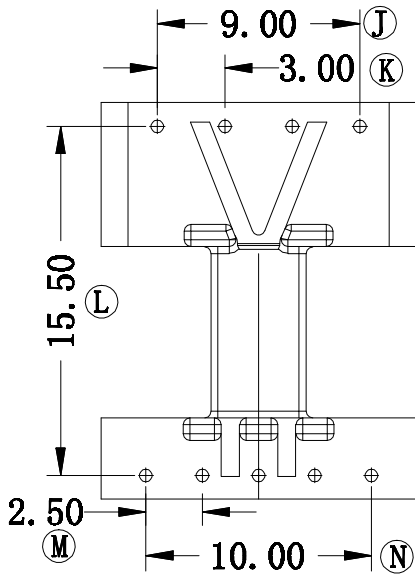
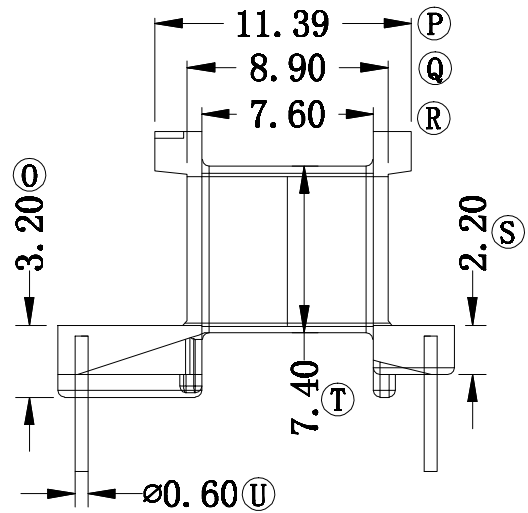
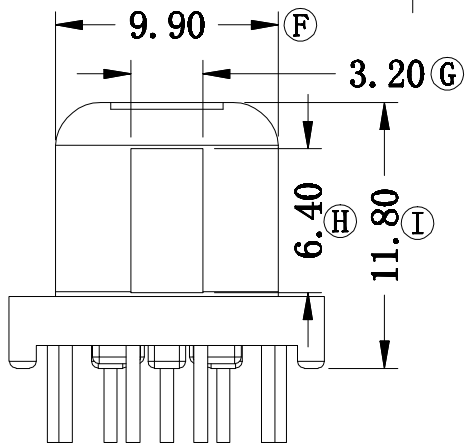
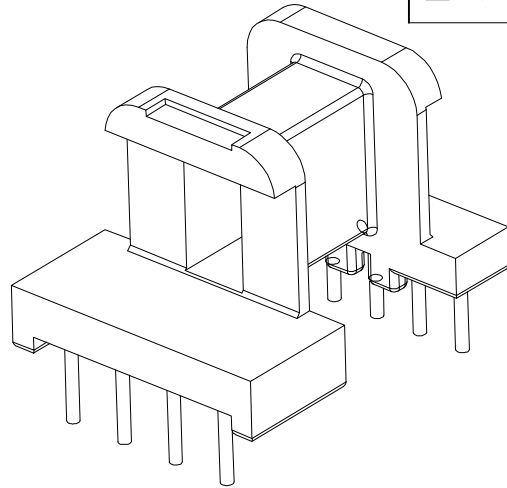
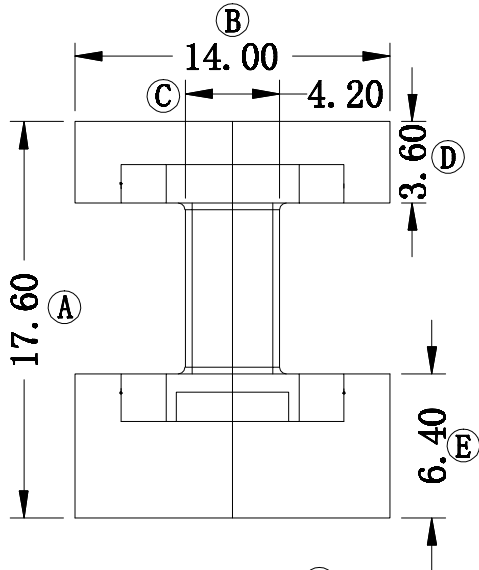


ZX-13AZ



| REV.  | REVISIONS REC. |               | DATE         | REV.      | REVISIONS REC.   |                           | DATE                        |
|---|----------------|---------------|--------------|-----------|------------------|---------------------------|-----------------------------|
| 1   |                |               |              | 4         |                  |                           |                             |
| 2   |                |               |              | 5         |                  |                           |                             |
| 3   |                |               |              | 6         |                  |                           |                             |
| DRAWN & DRAFTED BY  |                | LIU WEI QIANG | TOLERANCES   |           | ANGLE:           | TITLE: EE-13(4+5P)        |                             |
| CHECKED & APPROVED BY   |                | ZHANG YONG    | 0<L≤4 ±0.1   | pin pitch | ±1°              | BOBBIN MATERIAL: PHENOLIC |                             |
|   |                |               | 4<L≤16 ±0.2  | ±0.2      | UNIT: MM         | UL REC. UL 94V-0          |                             |
|   |                |               | 16<L≤63 ±0.3 |           | SCALE:           | PIN MATERIAL: CP WIRE     | PIN TENSION LOAD: 1.0KG MIN |
| <b>智信电子塑胶有限公司</b><br>ZHI XIN ELECTRONICS PLASTIC CO., LTD.<br>TEL:0769-86389901-2 FAX:0769-86389903 |                |               |              |           | DATE: 2012.10.08 | DRAWING NO. ZX-13AZ       | REV. A01                    |