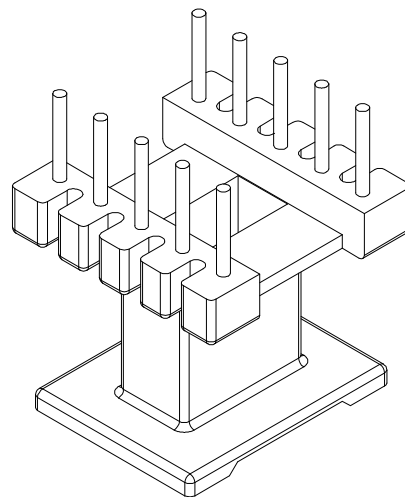
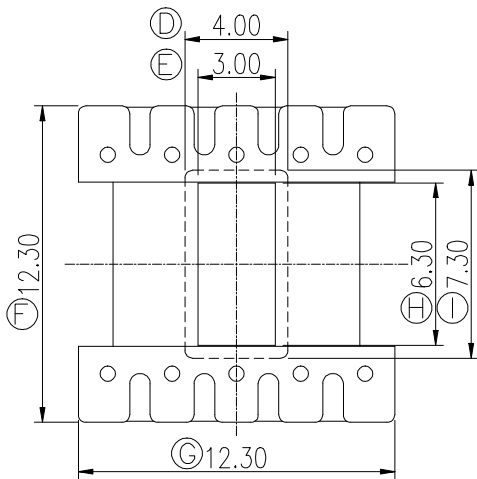
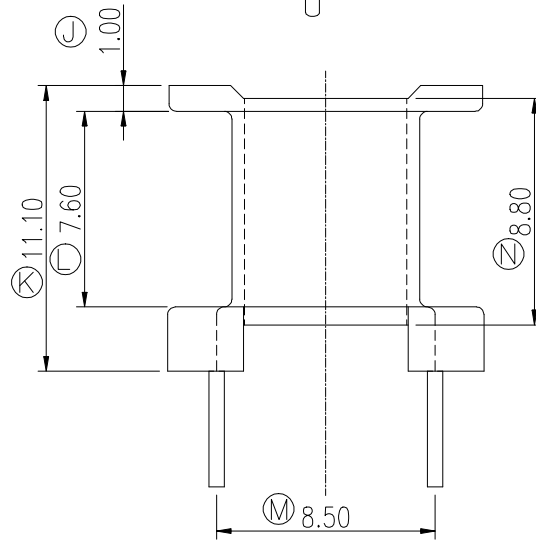
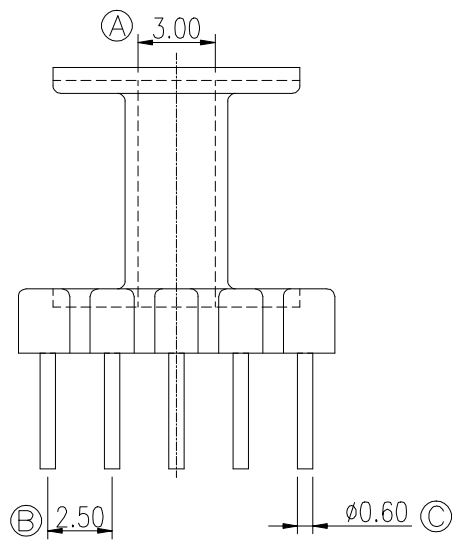
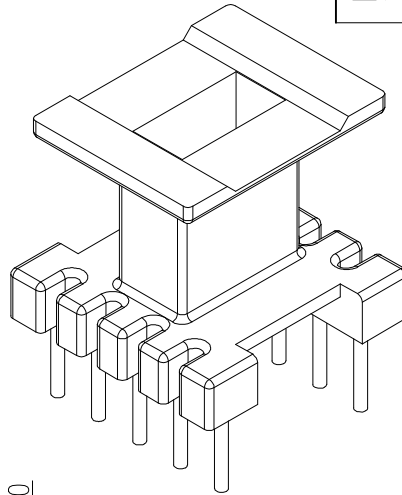
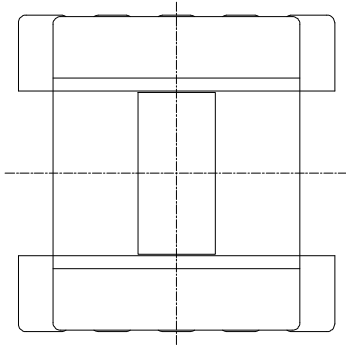


ZX-13BF



REV.	REVISIONS REC.		DATE	REV.	REVISIONS REC.		DATE
1				4			
2				5			
3				6			
DRAWN & DRAFTED BY		LIU WEI QIANG		TOLERANCES		ANGLE: $\pm 1^\circ$	
CHECKED & APPROVED BY		ZHANG YONG		0 < L ≤ 4 ±0.1		pin pitch	
				4 < L ≤ 16 ±0.2		UNIT: MM	
				16 < L ≤ 63 ±0.3		SCALE:	
智信电子塑胶有限公司 ZHI XIN ELECTRONICS PLASTIC CO., LTD. TEL:0769-86389901-2 FAX:0769-86389903				TITLE: EE-13(5+5P)		BOBBIN MATERIAL: PHENOLIC	
				PIN MATERIAL: CP WIRE		UL REC. UL 94V-0	
				DATE: 2009.05.06		PIN TENSION LOAD: 1.0KG MIN	
				DRAWING NO. ZX-13BF		REV. A01	