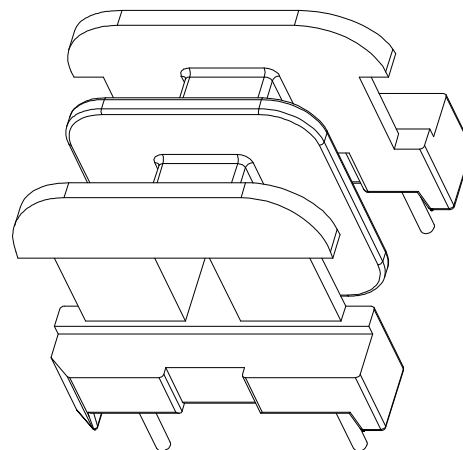
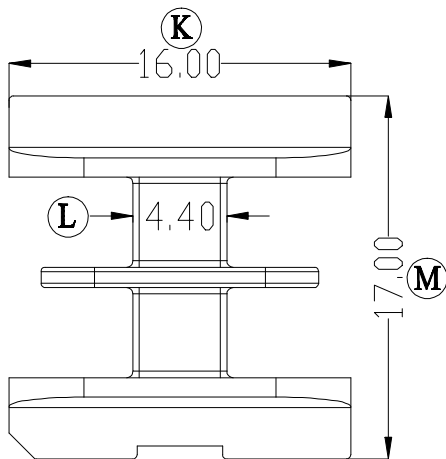
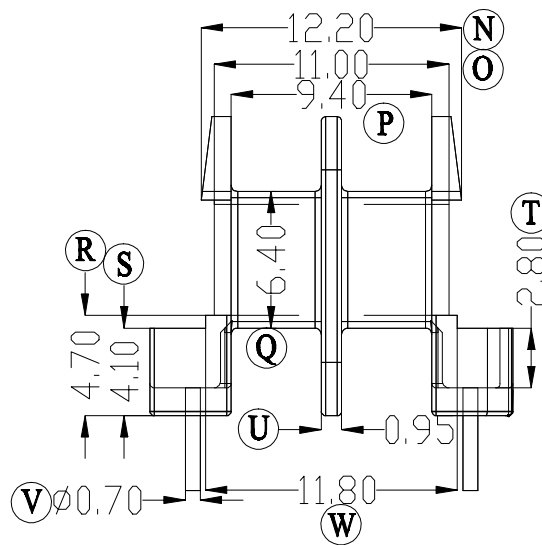
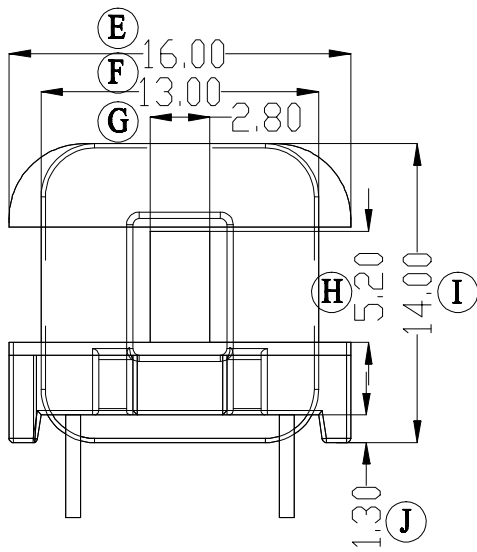
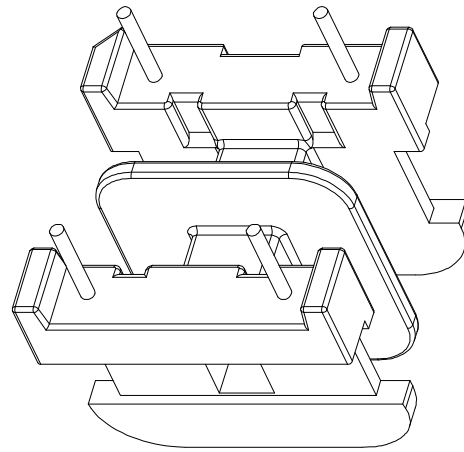
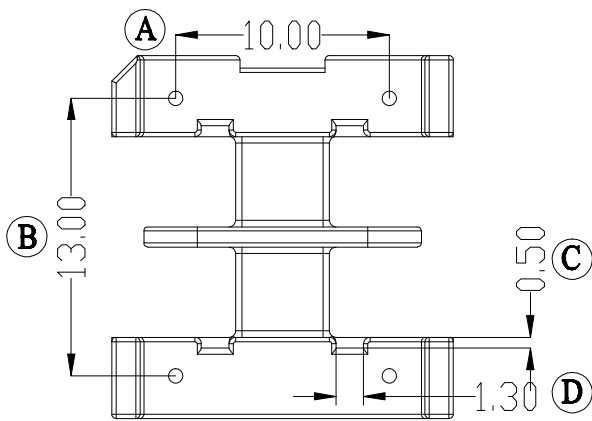


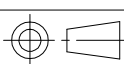
ZX-10.5L



REV.	REVISIONS REC.		DATE	REV.	REVISIONS REC.		DATE
1				4			
2				5			
3				6			
DRAWN & DRAFTED BY		LIU WEI QIANG	TOLERANCES		ANGLE:	TITLE:	
CHECKED & APPROVED BY		ZHANG YONG	0<L≤4 ±0.1	pin pitch	±1°	UU-10.5(2+2P)	
			4<L≤16 ±0.2		UNIT:	BOBBIN MATERIAL:	UL REC.
			16<L≤63 ±0.3		MM	PHENOLIC	UL 94V-0
					SCALE:	PIN MATERIAL:	PIN TENSION LOAD:
						CP WIRE	1.0KG MIN
						DATE:	DRAWING NO.
						2013.09.23	ZX-10.5L
							REV. A01



智信电子塑胶有限公司
ZHI XIN ELECTRONICS PLASTIC CO., LTD.
 TEL:0769-86389901-2 FAX:0769-86389903



DATE: 2013.09.23

DRAWING NO.

ZX-10.5L

REV. A01