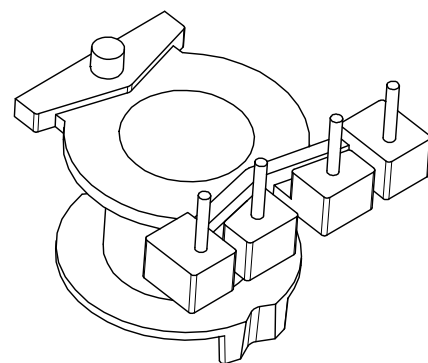
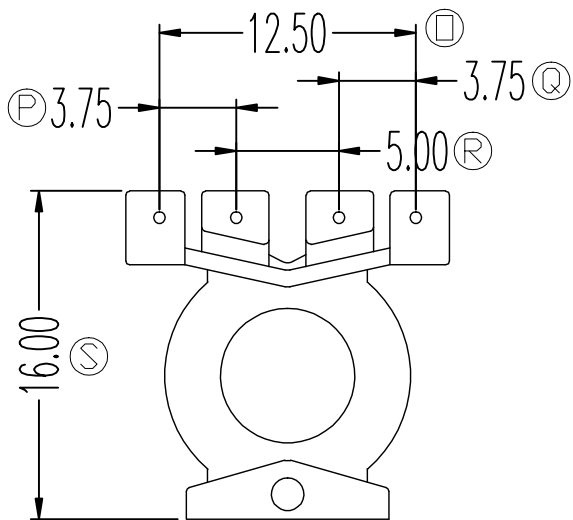
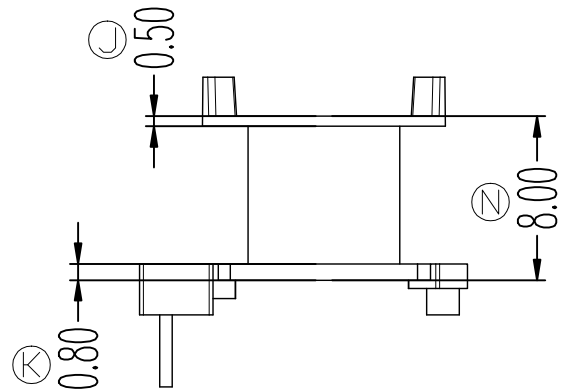
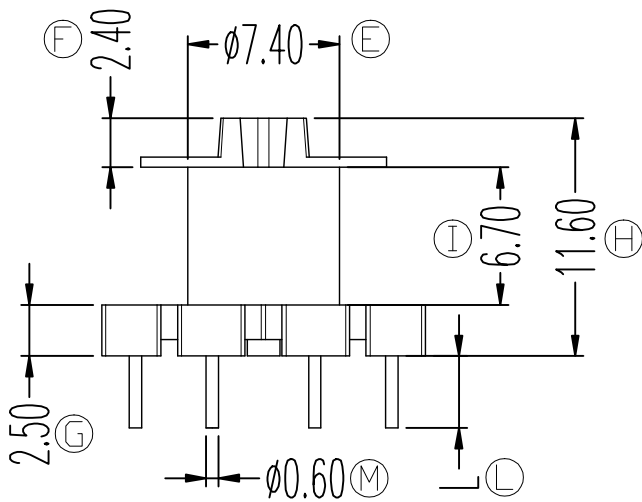
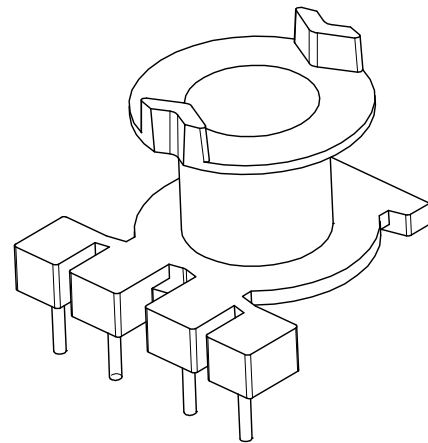
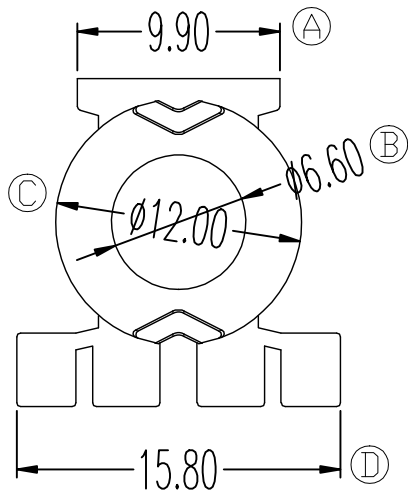


ZX-60



REV.	REVISIONS REC.		DATE	REV.	REVISIONS REC.		DATE
1				4			
2				5			
3				6			
DRAWN & DRAFTED BY		LIU WEI QIANG		TOLERANCES		ANGLE: $\pm 1^\circ$	
CHECKED & APPROVED BY		LIN JUN		0 < L ≤ 4 ± 0.1		UNIT: MM	
				4 < L ≤ 16 ± 0.2		TITLE: RM-6(4P)	
				16 < L ≤ 63 ± 0.3		BOBBIN MATERIAL: PHENOLIC	
				pin pitch ± 0.2		UL REC. UL 94V-0	
				SCALE:		PIN MATERIAL: CP WIRE	
				DATE: 2012.12.16		PIN TENSION LOAD: 0.8KG MIN	
				DRAWING NO. ZX-60		REV. A01	



智信电子塑胶有限公司

ZHI XIN ELECTRONICS PLASTIC CO., LTD.
TEL: 0769-86389901-2 FAX: 0769-86389903

