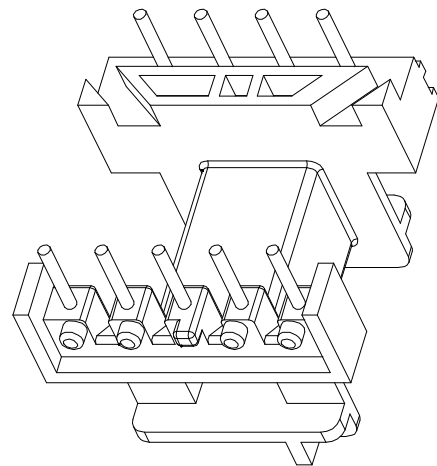
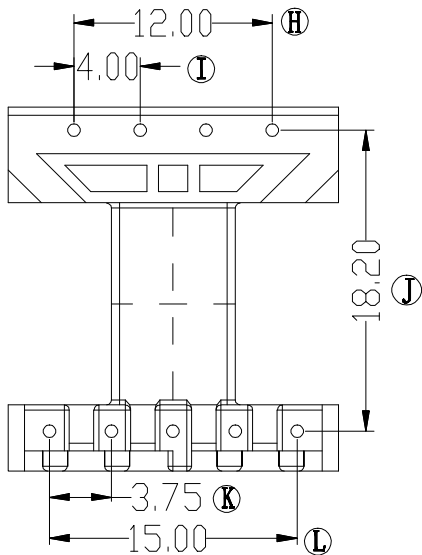
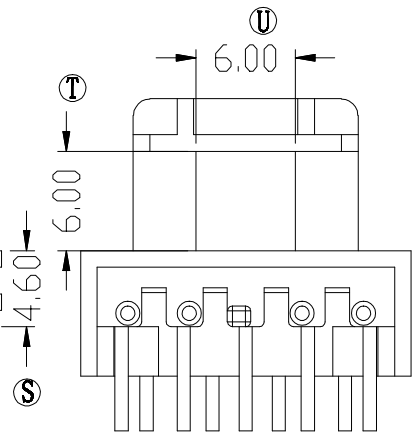
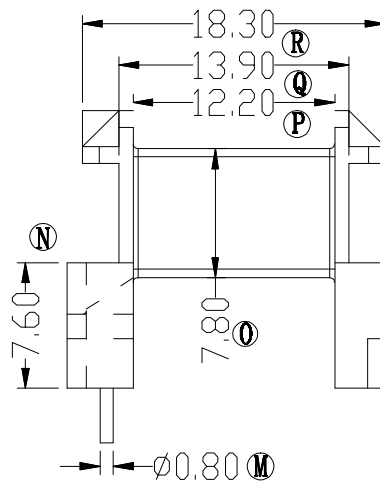
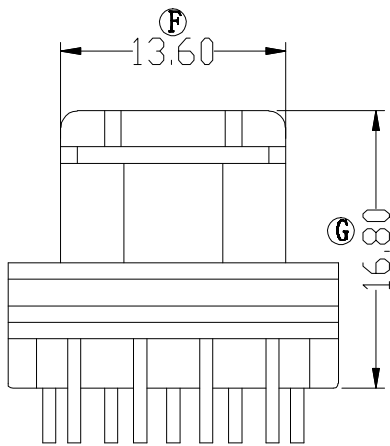
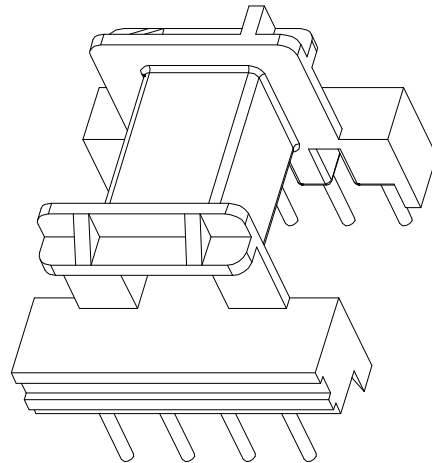
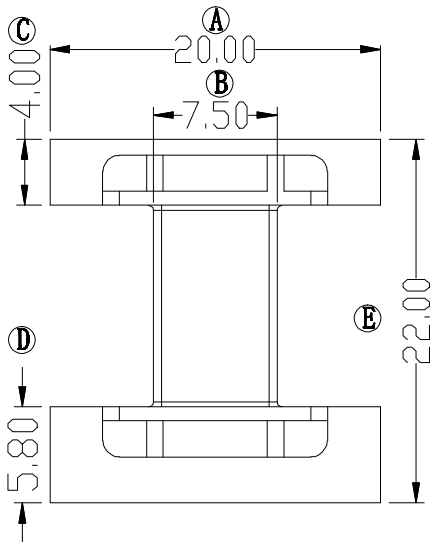


ZX-20CO



REV.	REVISIONS	REC.	DATE	REV.	REVISIONS	REC.	DATE
1				4			
2				5			
3				6			
DRAWN & DRAFTED BY		LIU WEI QIANG		TOLERANCES		ANGLE: $\pm 1^\circ$	
CHECKED & APPROVED BY		LIN JUN		$0 < L \leq 4 \pm 0.1$ $4 < L \leq 16 \pm 0.2$ $16 < L \leq 63 \pm 0.3$		UNIT: MM SCALE:	
				pin pitch ± 0.2		TITLE: EF-20(5+4P)	
						BOBBIN MATERIAL: PHENOLIC	
						UL REC. UL 94V-0	
						PIN MATERIAL: CP WIRE	
						PIN TENSION LOAD: 1.2KG MIN	
				DATE: 2012.09.24		DRAWING NO. ZX-20CO	
						REV. A01	



智信电子塑胶有限公司

ZHI XIN ELECTRONICS PLASTIC CO., LTD.
 TEL:0769-86389901-2 FAX:0769-86389903

