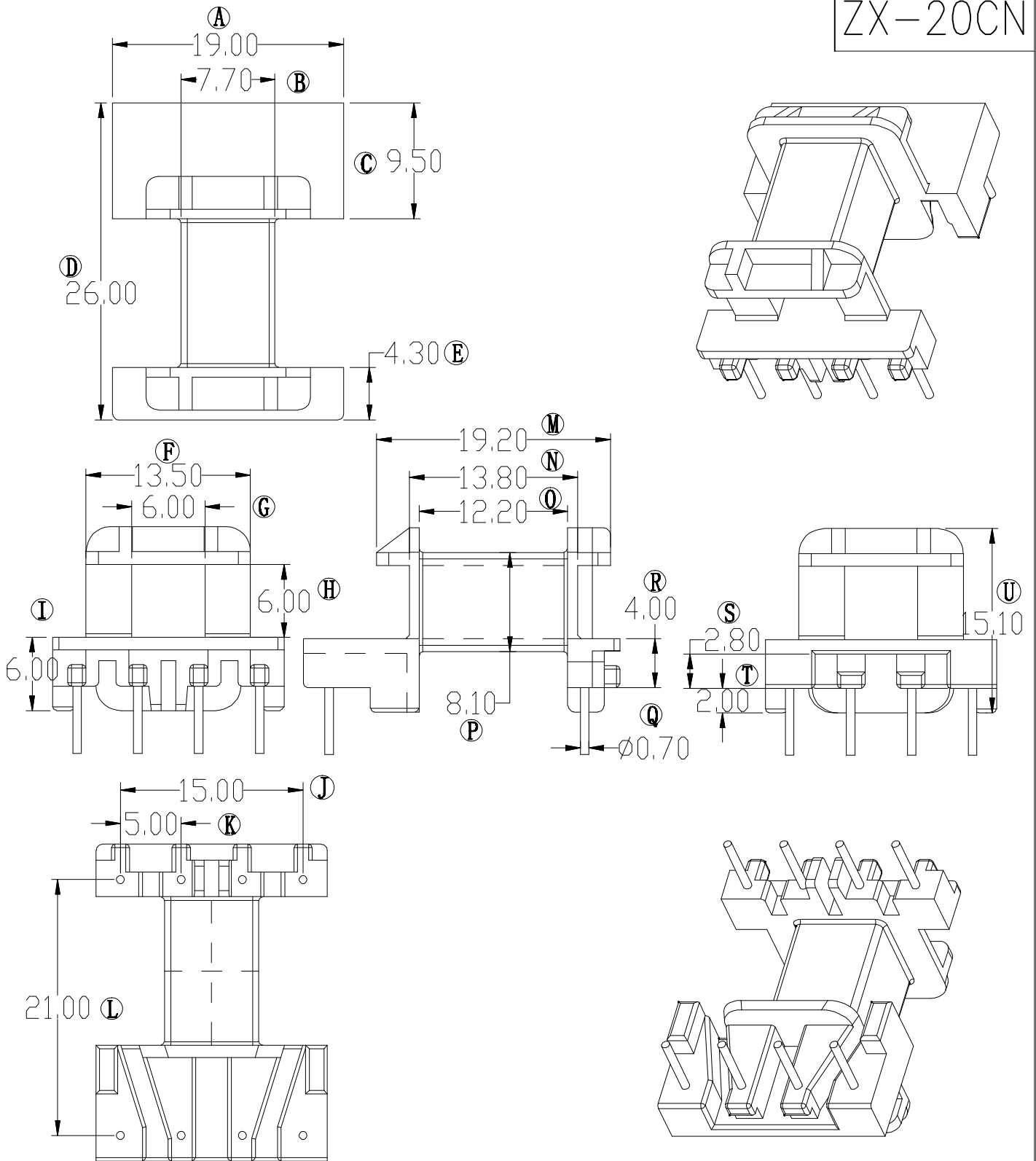


ZX-20CN



| REV. | REVISIONS REC. | | DATE | REV. | REVISIONS REC. | | DATE |
|-----------------------|----------------|---------------|------|---------------------|----------------|-----------------------------|------|
| 1 | | | | 4 | | | |
| 2 | | | | 5 | | | |
| 3 | | | | 6 | | | |
| DRAWN & DRAFTED BY | | LIU WEI QIANG | | TOLERANCES | | ANGLE: $\pm 1^\circ$ | |
| CHECKED & APPROVED BY | | LIN JUN | | pin pitch | | TITLE: EF-20(4+4P) | |
| | | 0<L≤4 ±0.1 | | UNIT: MM | | BOBBIN MATERIAL: PHENOLIC | |
| | | 4<L≤16 ±0.2 | | SCALE: | | UL REC. UL 94V-0 | |
| | | 16<L≤63 ±0.3 | | DATE: 2012.07.10 | | PIN MATERIAL: CP WIRE | |
| | | | | DRAWING NO. ZX-20CN | | PIN TENSION LOAD: 1.2KG MIN | |
| | | | | REV. A01 | | | |

ZXE 智信电子塑胶有限公司
 ZHI XIN ELECTRONICS PLASTIC CO., LTD.
 TEL:0769-86389901-2 FAX:0769-86389903