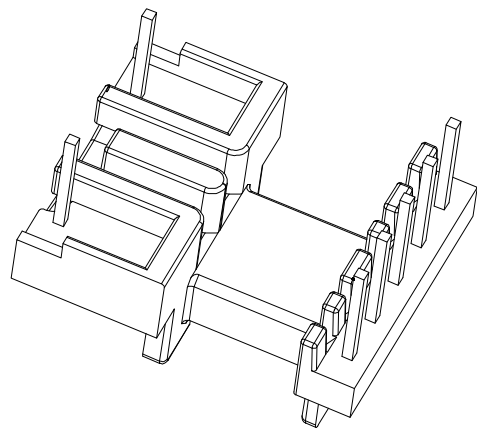
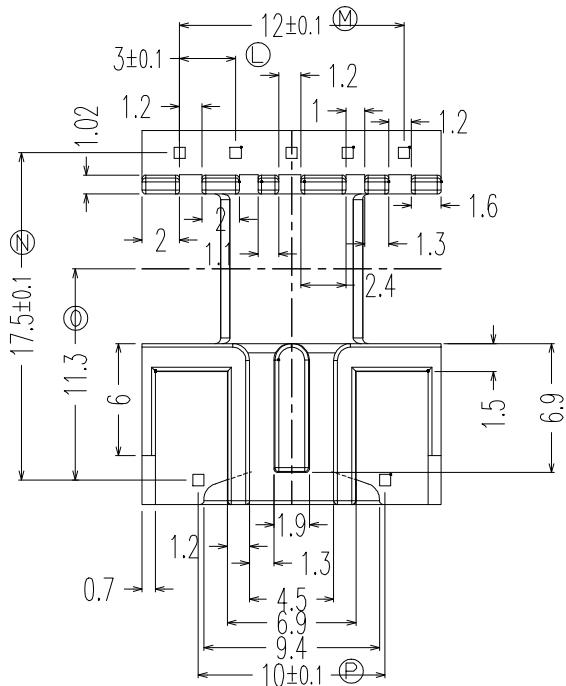
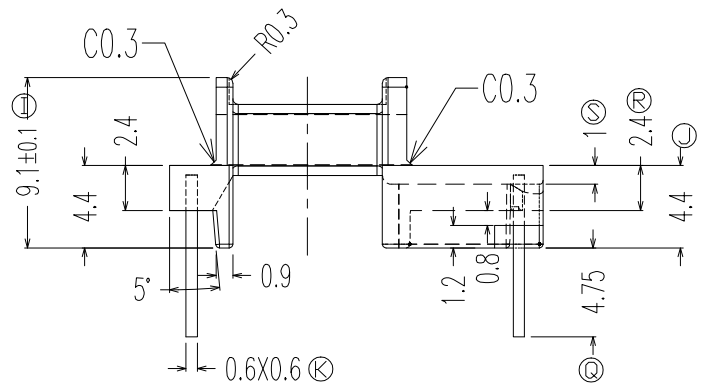
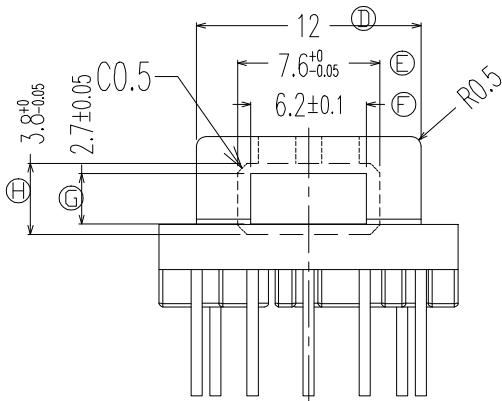
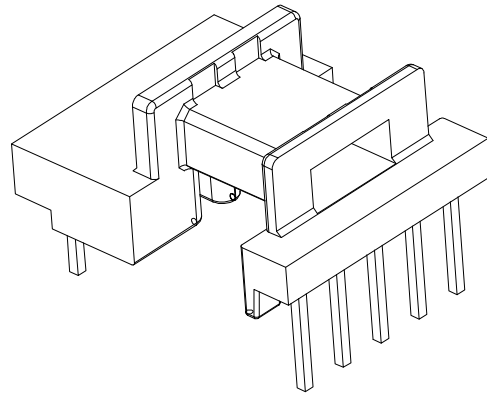
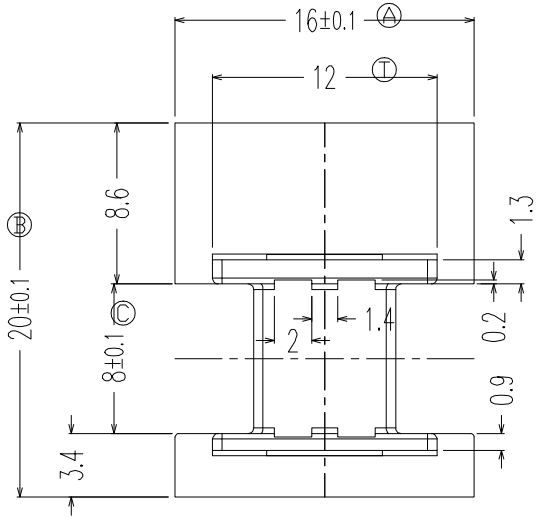


ZX-16CX



REV.	REVISIONS	REC.	DATE	REV.	REVISIONS	REC.	DATE		
1				4					
2				5					
3				6					
DRAWN & DRAFTED BY		LIU WEI QIANG		TOLERANCES		ANGLE: ±1°		TITLE: EFD-16(5+2P)	
CHECKED & APPROVED BY		LIN JUN		0<L≤4 ±0.1		pin pitch ±0.2		BOBBIN MATERIAL: PHENOLIC	
				4<L≤16 ±0.2				UL REC. UL 94V-0	
				16<L≤63 ±0.3				PIN MATERIAL: CP WIRE	
								PIN TENSION LOAD: 1.0KG MIN	
								SCALE: DATE: 2013.11.16	
								DRAWING NO. ZX-16CX	
								REV. A01	

ZXE 智信电子塑胶有限公司
ZHI XIN ELECTRONICS PLASTIC CO., LTD.
 TEL:0769-86389901-2 FAX:0769-86389903