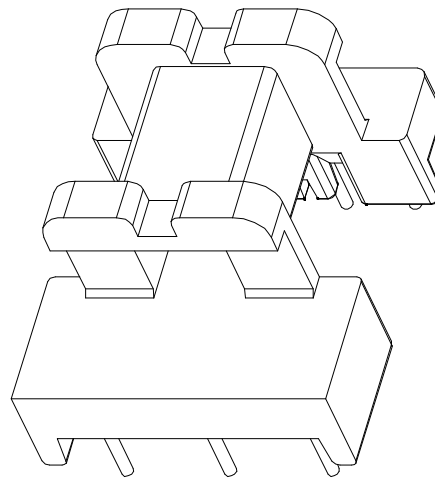
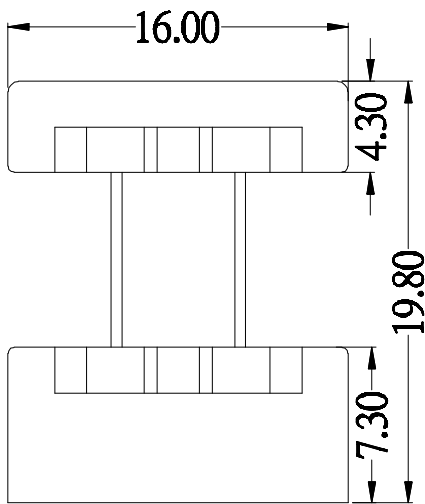
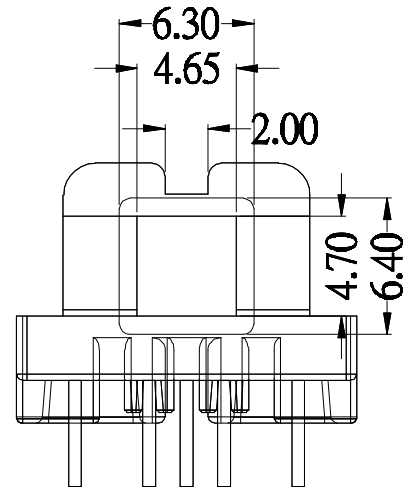
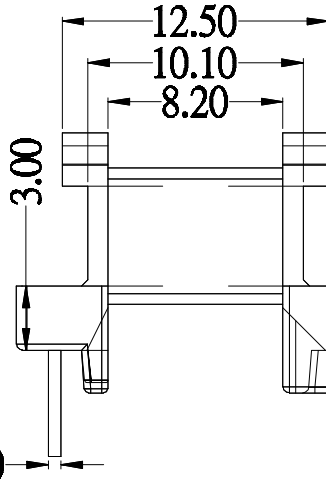
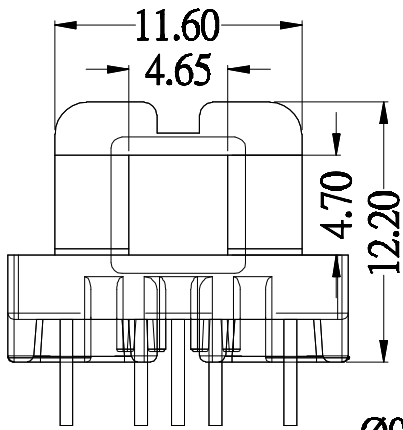
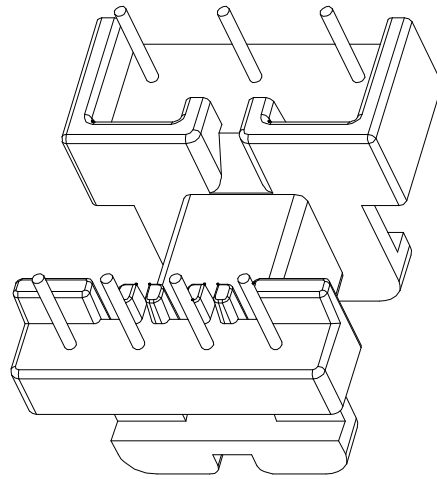
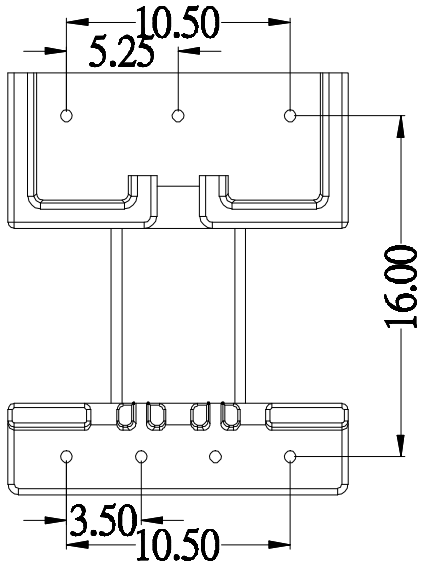


ZX-16CV

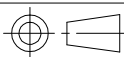


| REV. | REVISIONS | | REC. | DATE | REV. | REVISIONS | | REC. | DATE |
|-----------------------|-----------|---------------|------|----------------|------|-----------|--|-------------------|------|
| 1 | | | | | 4 | | | | |
| 2 | | | | | 5 | | | | |
| 3 | | | | | 6 | | | | |
| DRAWN & DRAFTED BY | | LIU WEI QIANG | | TOLERANCES | | ANGLE: | | TITLE: | |
| CHECKED & APPROVED BY | | LIN JUN | | 0<L≤4 ±0.1 | | ±1° | | EE-16(4+3P) | |
| | | | | 4<L≤16 ±0.2 | | UNIT: | | BOBBIN MATERIAL: | |
| | | | | 16<L≤63 ±0.3 | | MM | | PHENOLIC | |
| | | | | pin pitch ±0.2 | | SCALE: | | UL REC. UL 94V-0 | |
| | | | | | | | | PIN MATERIAL: | |
| | | | | | | | | CP WIRE | |
| | | | | | | | | PIN TENSION LOAD: | |
| | | | | | | | | 1.0KG MIN | |
| | | | | | | | | DATE: | |
| | | | | | | | | 2013.11.04 | |
| | | | | | | | | DRAWING NO. | |
| | | | | | | | | ZX-16CV | |
| | | | | | | | | REV. | |
| | | | | | | | | A01 | |



智信电子塑胶有限公司

ZHI XIN ELECTRONICS PLASTIC CO., LTD.
TEL:0769-86389901-2 FAX:0769-86389903



DATE: 2013.11.04

DRAWING NO. ZX-16CV

REV. A01