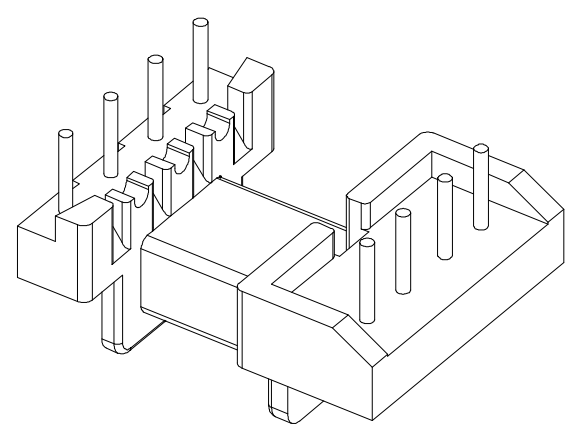
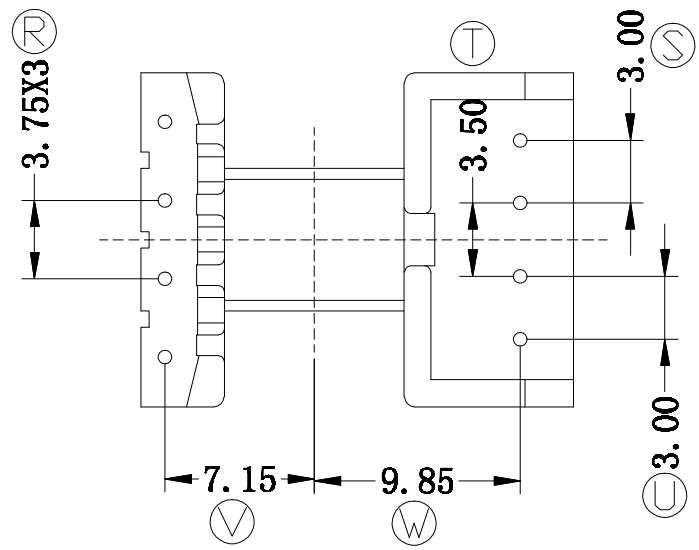
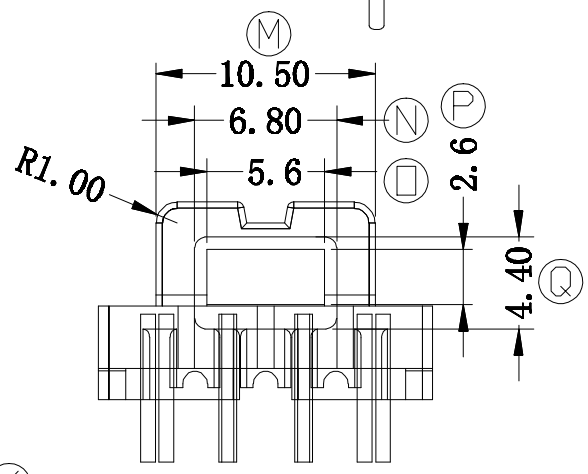
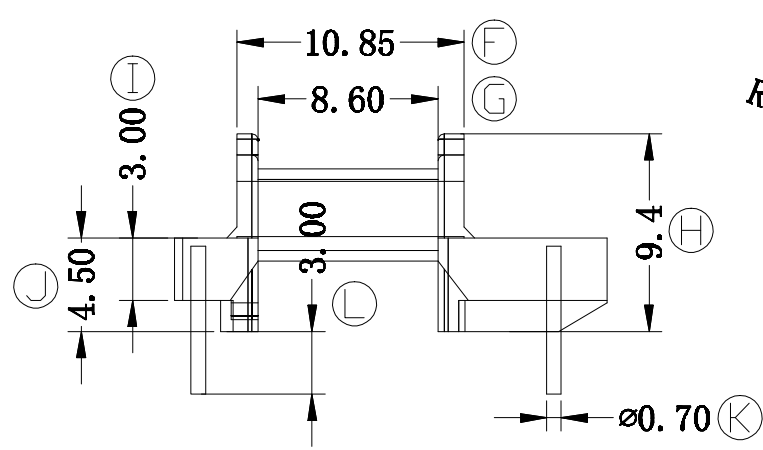
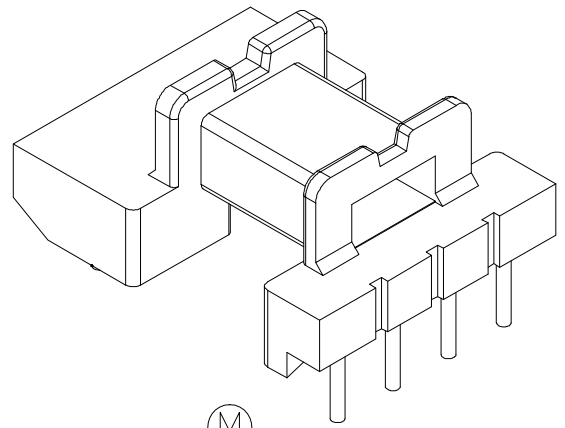
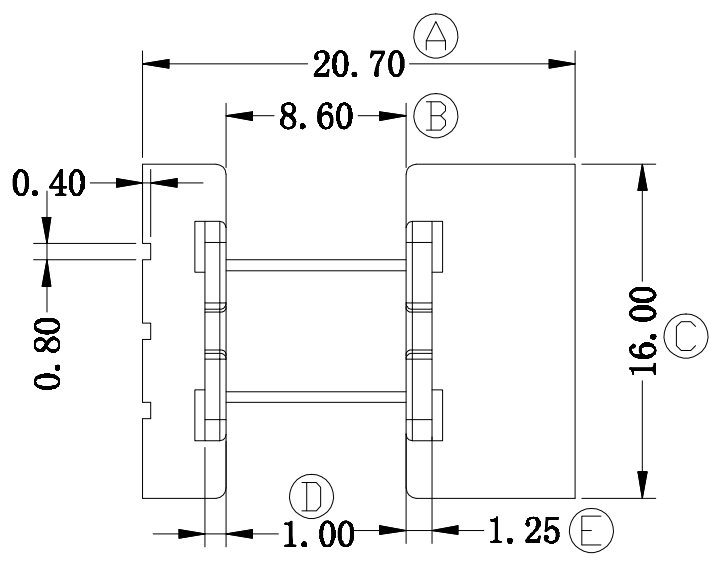


# ZX-15P



REV.	REVISIONS REC.		DATE	REV.	REVISIONS REC.		DATE
1				4			
2				5			
3				6			
DRAWN & DRAFTED BY	LIU WEI QIANG		TOLERANCES	ANGLE:	TITLE: EFD-1515(4+4P)		
CHECKED & APPROVED BY	LIN JUN		$0 < L \leq 4 \pm 0.1$ $4 < L \leq 16 \pm 0.2$ $16 < L \leq 63 \pm 0.3$	$\pm 1^\circ$  UNIT: MM	BOBBIN MATERIAL:	PHENOLIC	UL REC. UL 94V-0
<b>智信电子塑胶有限公司</b> <b>ZHI XIN ELECTRONICS PLASTIC CO., LTD.</b> TEL:0769-86389901-2 FAX:0769-86389903				SCALE:	PIN MATERIAL:	CP WIRE	PIN TENSION LOAD: 1.0KG MIN
					DATE: 2012.06.30	DRAWING NO. ZX-15P	REV. A01