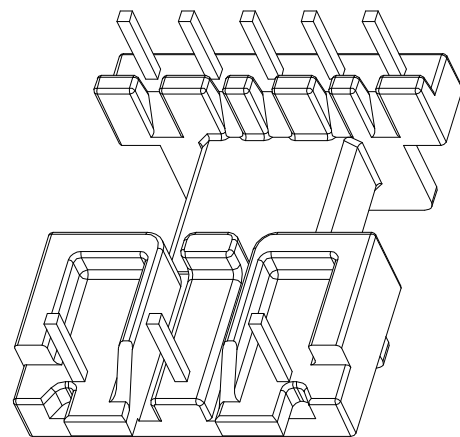
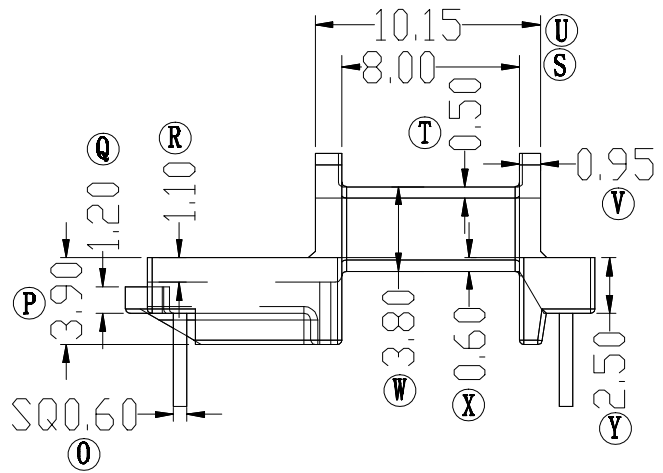
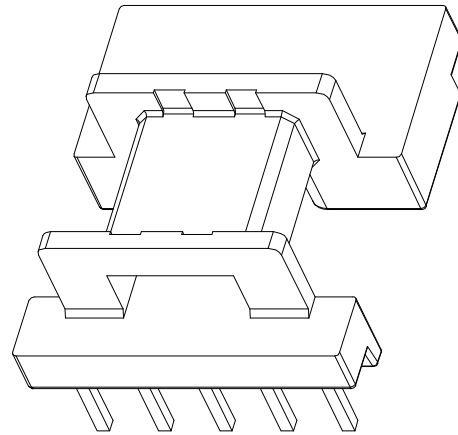
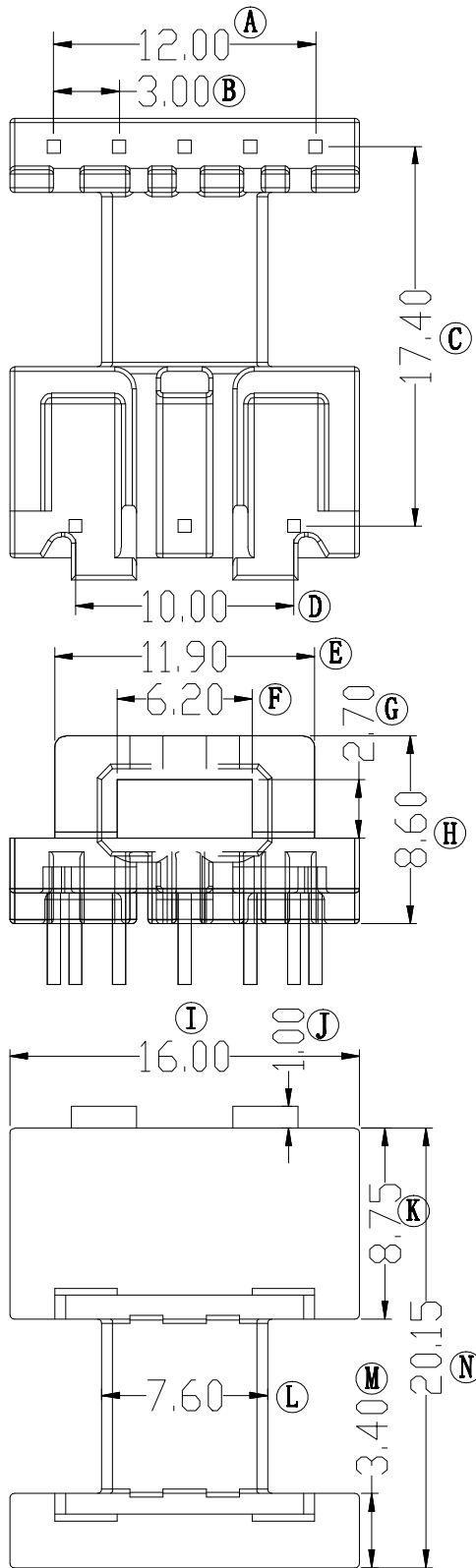


ZX-15Q



REV.	REVISIONS REC.		DATE	REV.	REVISIONS REC.		DATE
1				4			
2				5			
3				6			
DRAWN & DRAFTED BY		LIU WEI QIANG	TOLERANCES		ANGLE:	TITLE:	
CHECKED & APPROVED BY		LIN JUN	0<L≤4 ±0.1	pin pitch ±0.2	±1°	EFD-15(5+3P)	
			4<L≤16 ±0.2		UNIT:	BOBBIN MATERIAL:	UL REC.
			16<L≤63 ±0.3		MM	PHENOLIC	UL 94V-0
					SCALE:	PIN MATERIAL:	PIN TENSION LOAD:
						CP WIRE	1.0KG MIN
						DATE:	DRAWING NO.
						2013.06.18	ZX-15Q
							REV. A01

ZXE 智信电子塑胶有限公司
 ZHI XIN ELECTRONICS PLASTIC CO., LTD.
 TEL:0769-86389901-2 FAX:0769-86389903