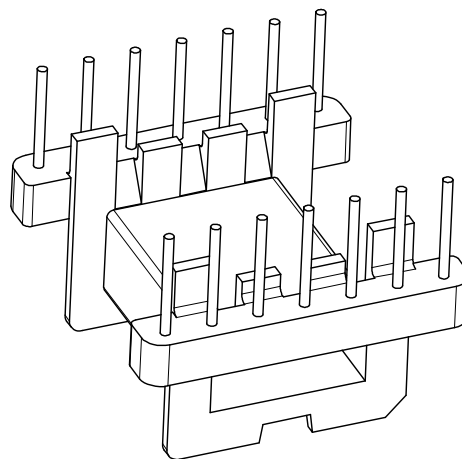
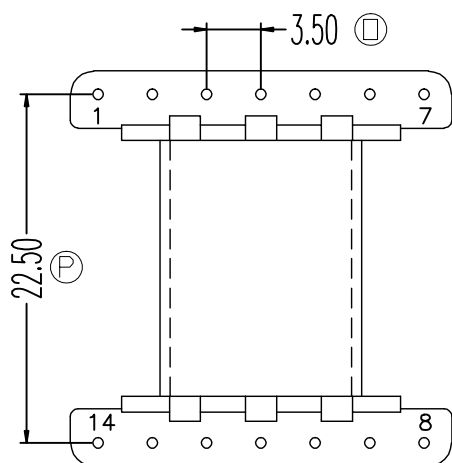
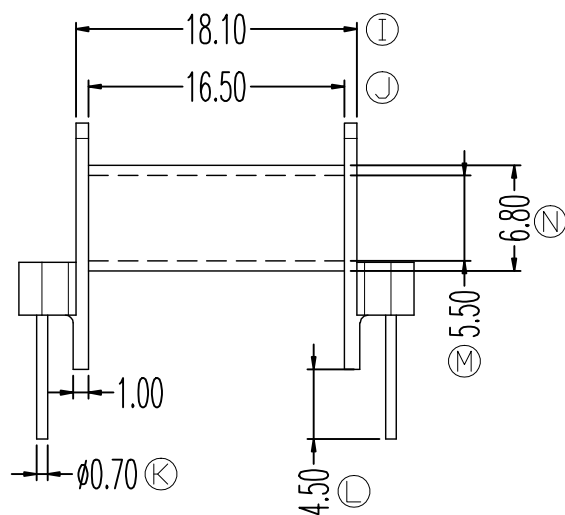
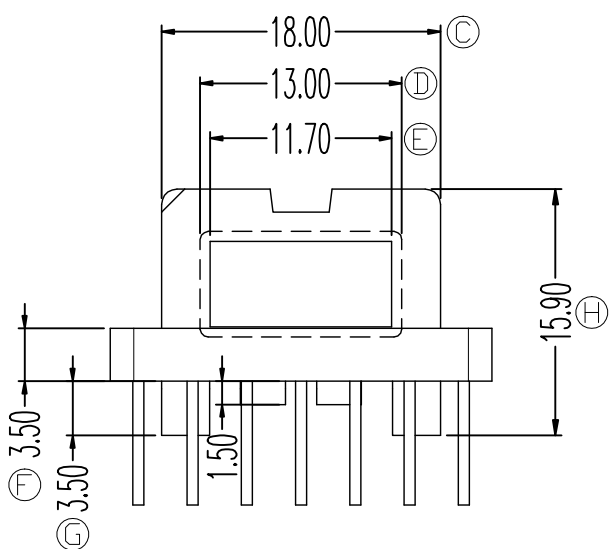
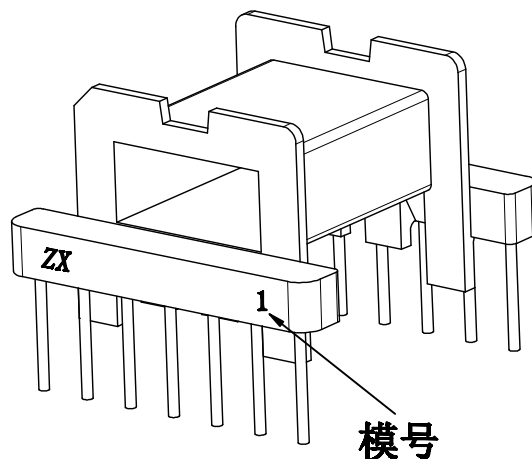
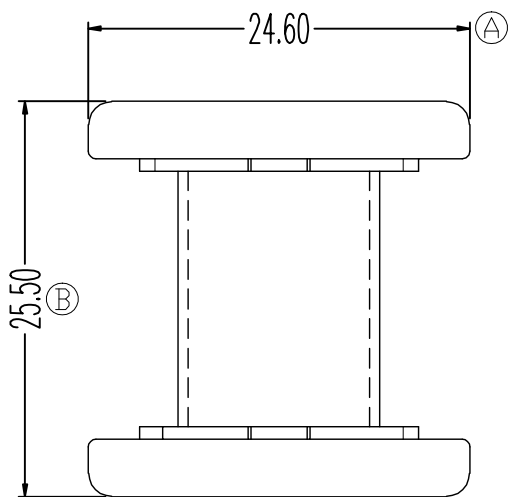


ZX-25CC



REV.	REVISIONS REC.		DATE	REV.	REVISIONS REC.		DATE
1				4			
2				5			
3				6			
DRAWN & DRAFTED BY	LIU WEI QIANG	TOLERANCES 0<L≤4 ±0.1 4<L≤16 ±0.2 16<L≤63 ±0.3	ANGLE:	TITLE: EFD-25(7+7P)			
CHECKED & APPROVED BY	LIN JUN		UNIT:	BOBBIN MATERIAL:	PHENOLIC	UL REC.	UL 94V-0
智信电子塑胶有限公司			SCALE:	PIN MATERIAL:	CP WIRE	PIN TENSION LOAD:	1.0KG MIN
ZXE ZHI XIN ELECTRONICS PLASTIC CO., LTD. TEL:0769-86389901-2 FAX:0769-86389903			DATE: 2021.11.23		DRAWING NO. ZX-25CC		REV. A01