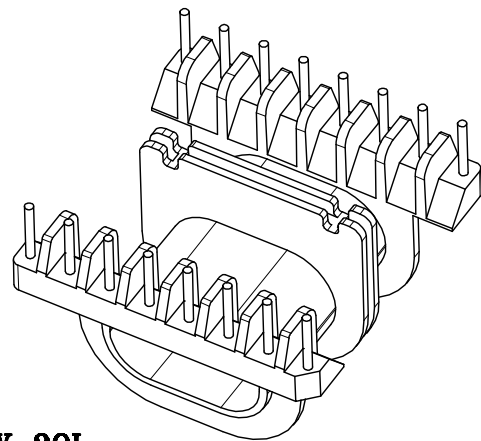
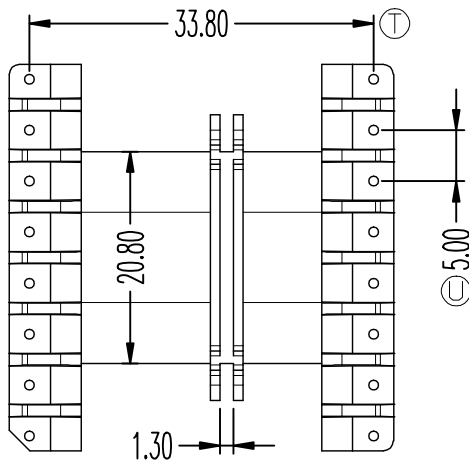
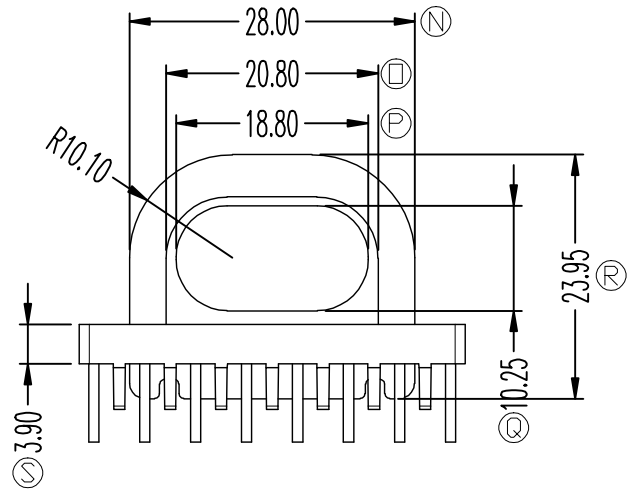
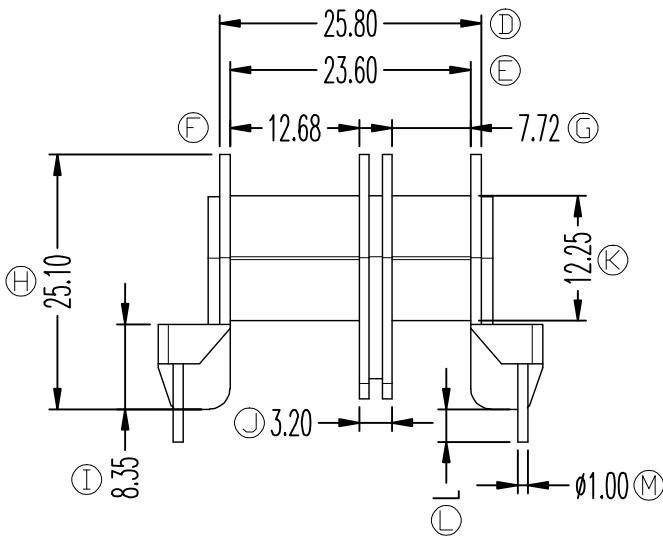
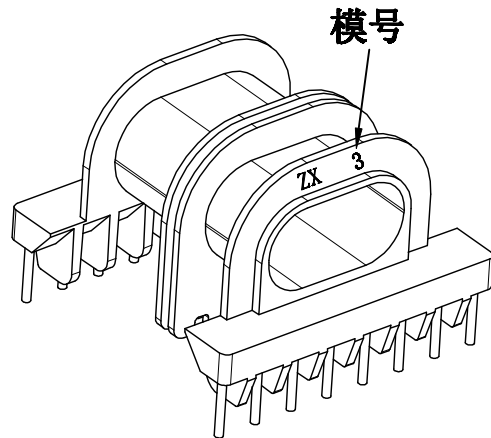
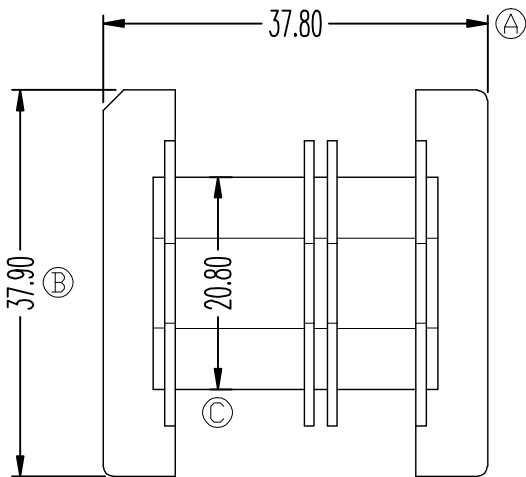


ZX-39K



对应 ZX-39L

REV.	REVISIONS	REC.	DATE	REV.	REVISIONS	REC.	DATE	
1				4				
2				5				
3				6				
DRAWN & DRAFTED BY		LIU WEI QIANG	TOLERANCES		ANGLE: $\pm 1^\circ$			TITLE: <b>EPC-39 (8+8P)</b>
CHECKED & APPROVED BY		LIN JUN	0 < L ≤ 4 ±0.1		UNIT: MM	BOBBIN MATERIAL: PHENOLIC	UL REC. UL 94V-0	
			4 < L ≤ 16 ±0.2		SCALE:	PIN MATERIAL: CP WIRE	PIN TENSION LOAD: 1.5KG MIN	
			16 < L ≤ 63 ±0.3		DATE: 2021.08.18	DRAWING NO. ZX-39K	REV. A01	
<b>智信电子塑胶有限公司</b> ZHI XIN ELECTRONICS PLASTIC CO., LTD. TEL: 0769-86389901-2 FAX: 0769-86389903								