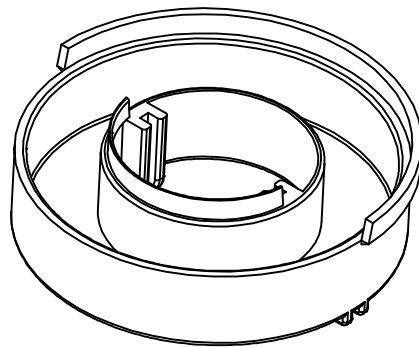
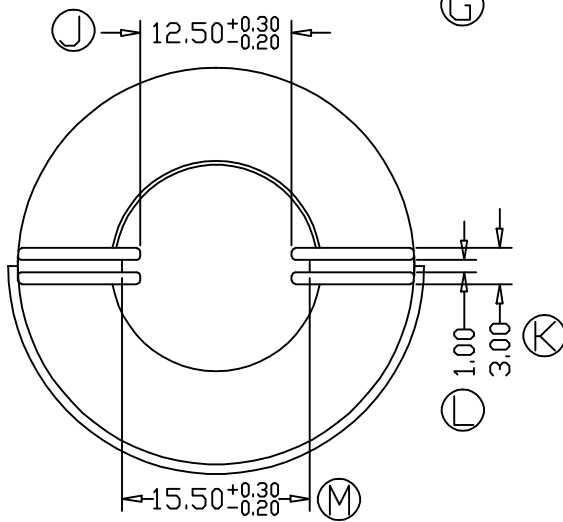
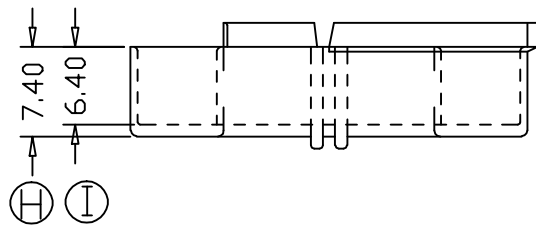
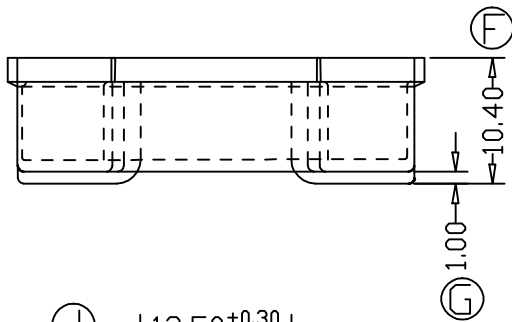
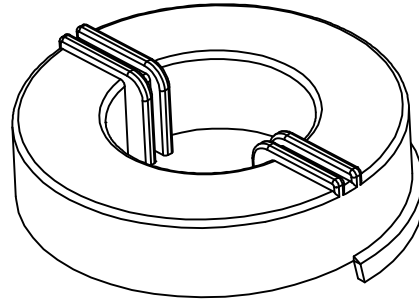
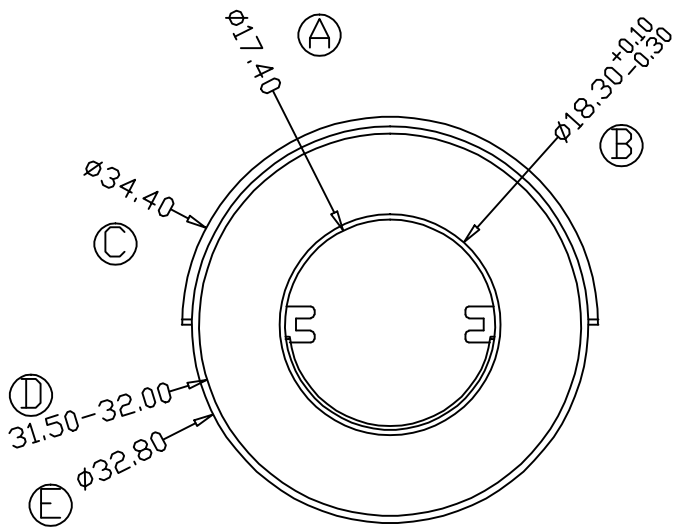


ZX-C024

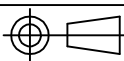


REV.	REVISIONS REC.	DATE	REV.	REVISIONS REC.	DATE
1	B尺寸由18.60更改为18.30	11/06/03	4		
2	J尺寸由12.30更改为12.50	21/09/24	5		
3	M尺寸由15.00更改为15.50	21/09/24	6		
DRAWN & DRAFTED BY		TOLERANCES		ANGLE:	
LIU WEI QIANG		0<L≤4 ±0.1		±1°	
CHECKED & APPROVED BY		4<L≤16 ±0.2		UNIT:	
MA BU JIAN		16<L≤63 ±0.3		MM	
TITLE:		SCALE:		PIN MATERIAL:	
CASE				PBT	
BOBBIN MATERIAL:		PIN TENSION LOAD:		UL REC.	
PBT				UL 94V-0	
DATE:		DRAWING NO.		REV.	
2021.09.24		ZX-C024		A02	



智信电子塑胶有限公司

ZHI XIN ELECTRONICS PLASTIC CO., LTD.
TEL:0769-86389901-2 FAX:0769-86389903



DATE: 2021.09.24

DRAWING NO. ZX-C024

REV. A02