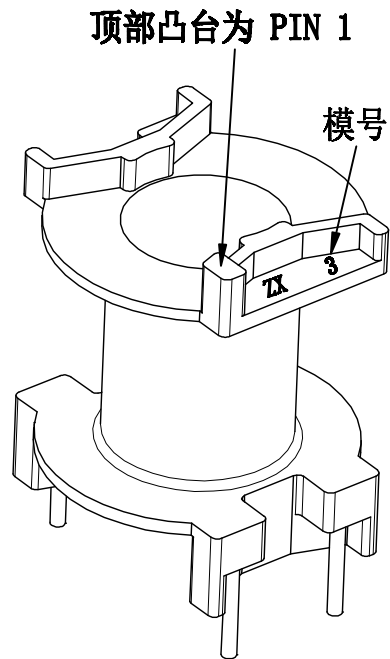
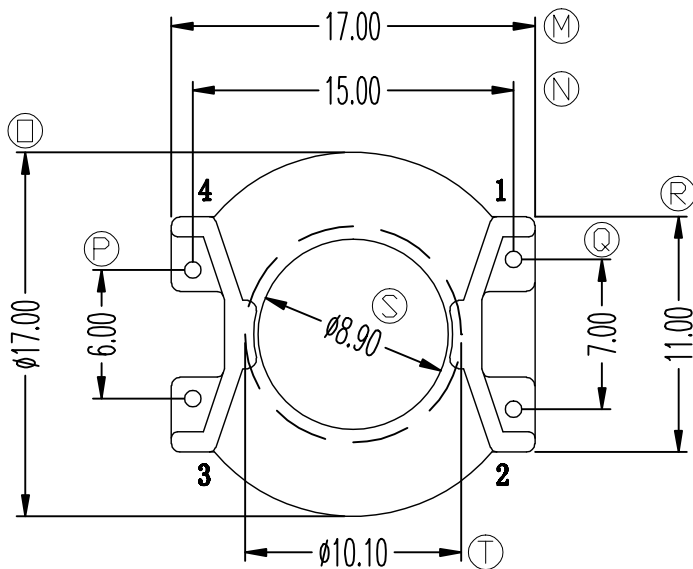
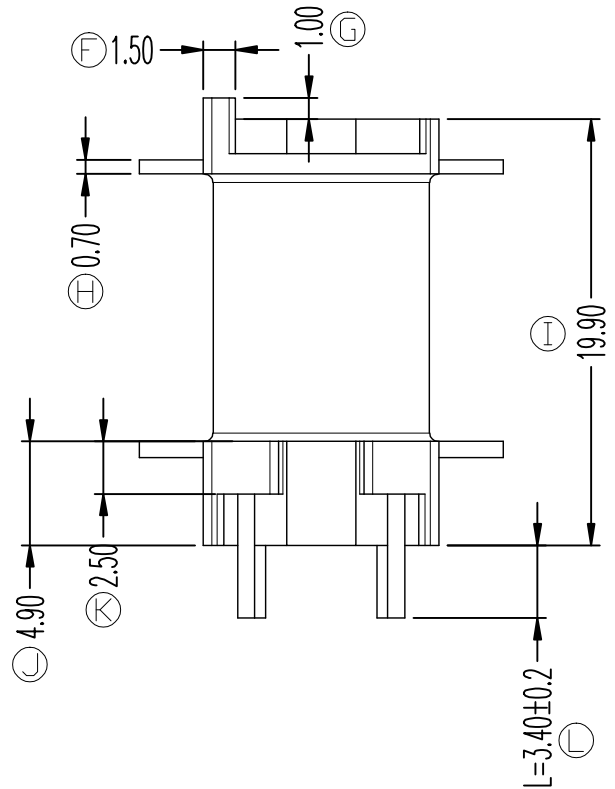
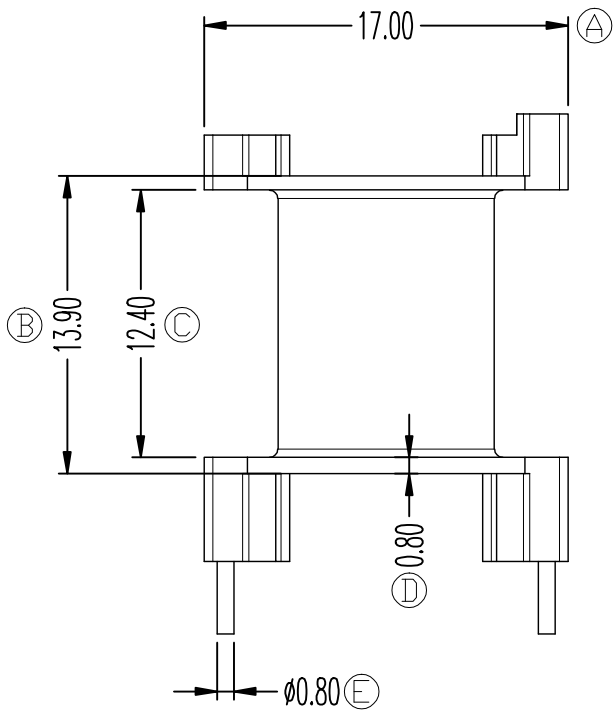


ZX-20CZ



REV.	REVISIONS REC.		DATE	REV.	REVISIONS REC.		DATE
1				4			
2				5			
3				6			
DRAWN & DRAFTED BY		LIU WEI QIANG	TOLERANCES		ANGLE:		TITLE:
CHECKED & APPROVED BY		LIN JUN	0 < L ≤ 4 ±0.1		±1°		PQ-20(2+2P)
			4 < L ≤ 16 ±0.2		UNIT:	BOBBIN MATERIAL:	UL REC.
			16 < L ≤ 63 ±0.3		MM	PHENOLIC	UL 94V-0
					SCALE:	PIN MATERIAL:	PIN TENSION LOAD:
						CP WIRE	1.0KG MIN
					DATE:	DRAWING NO.	REV.
					2021.10.19	ZX-20CZ	A01