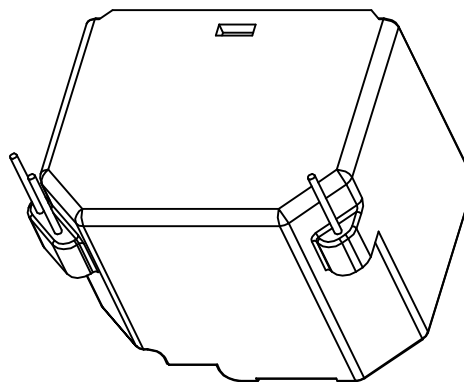
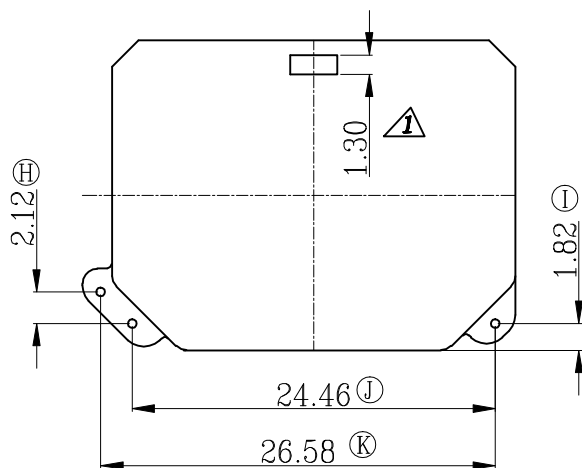
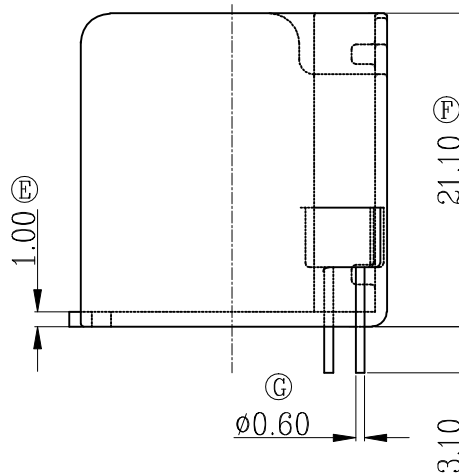
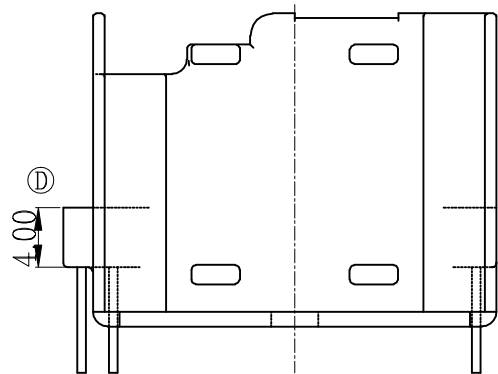
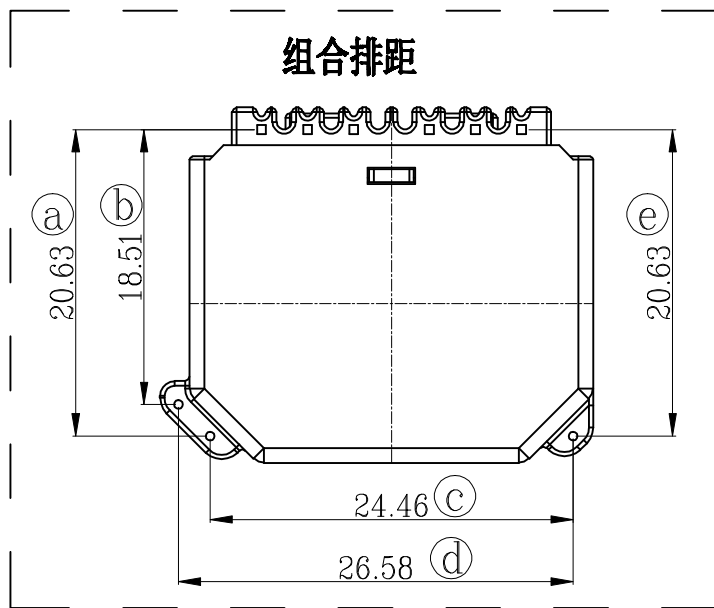
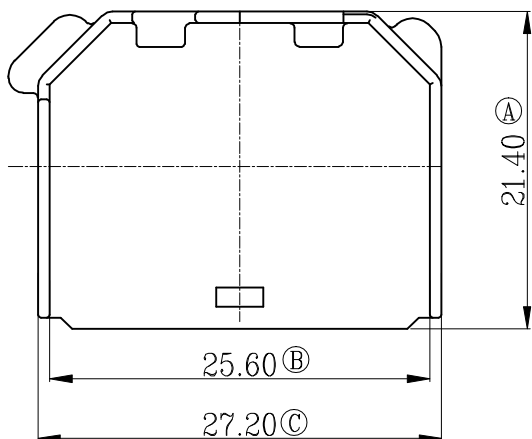


ZX-24K

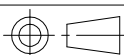


对应ZX-24J

REV.	REVISIONS	REC.	DATE	REV.	REVISIONS	REC.	DATE
1				4			
2				5			
3				6			
DRAWN & DRAFTED BY		LIU WEI QIANG	TOLERANCES		ANGLE:		TITLE:
CHECKED & APPROVED BY		LIN JUN	0 < L ≤ 4 ±0.1		±1°		PQ-24(3P)
			4 < L ≤ 16 ±0.2		UNIT:	BOBBIN MATERIAL:	UL REC.
			16 < L ≤ 63 ±0.3		MM	PM-9820	UL 94V-0
			SCALE:	PIN MATERIAL:	CP WIRE		PIN TENSION LOAD:
				DATE:	2021.08.23		1.0KG MIN
				DRAWING NO.	ZX-24K		REV.
							A01



智信电子塑胶有限公司
 ZHI XIN ELECTRONICS PLASTIC CO., LTD.
 TEL: 0769-86389901-2 FAX: 0769-86389903



DATE: 2021.08.23

DRAWING NO. ZX-24K

REV. A01