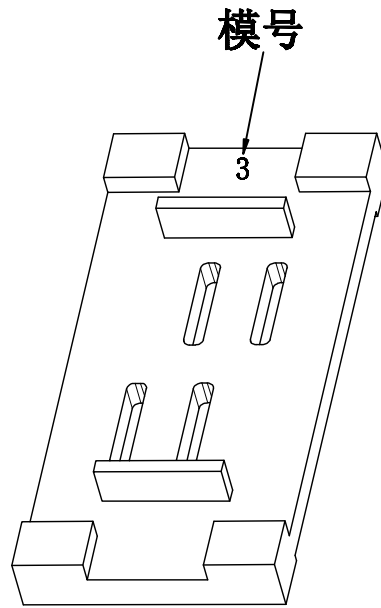
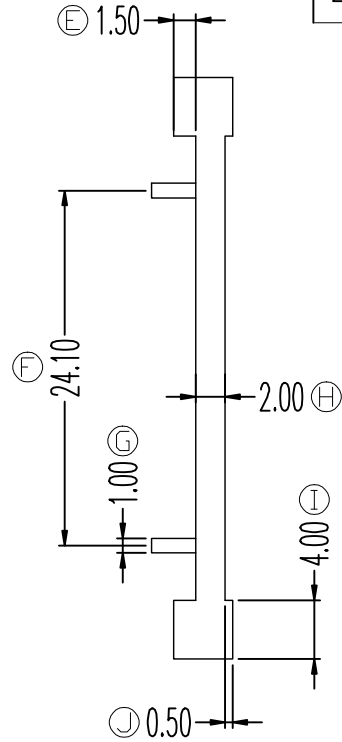
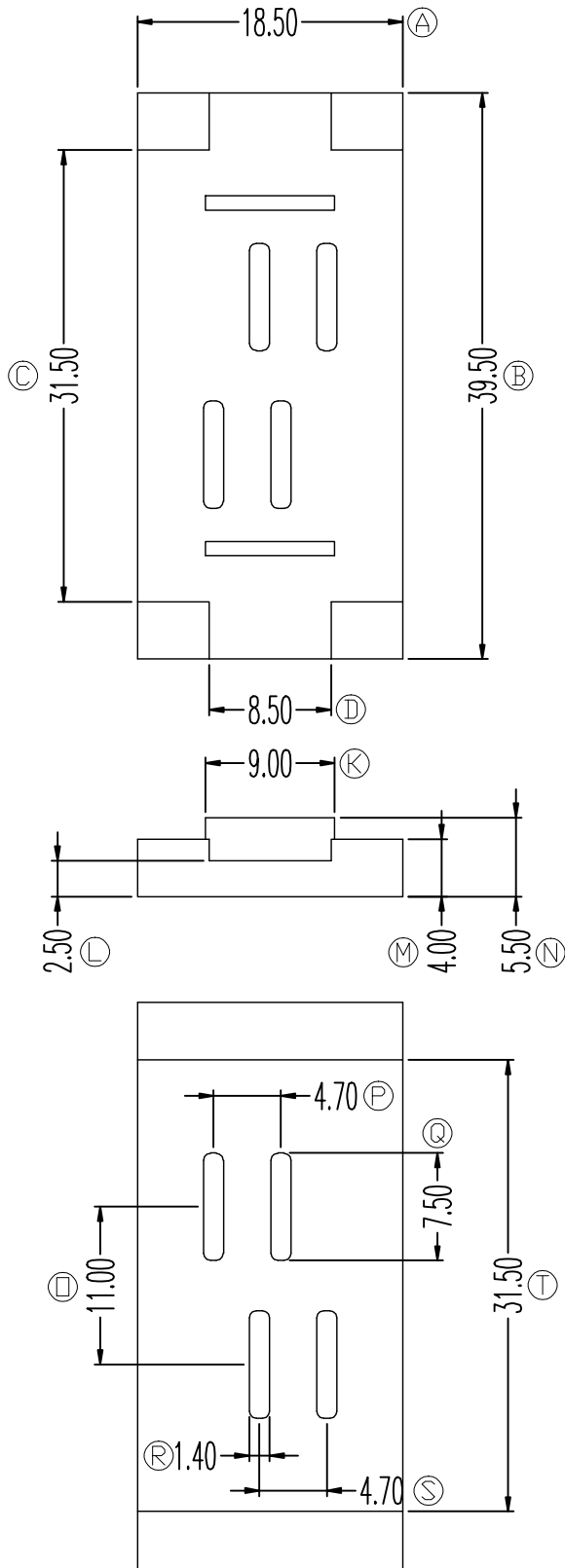


ZX-B133



REV.	REVISIONS	REC.	DATE	REV.	REVISIONS	REC.	DATE
1				4			
2				5			
3				6			
DRAWN & DRAFTED BY		LIU WEI QIANG		TOLERANCES		ANGLE: $\pm 1^\circ$	
CHECKED & APPROVED BY		LIN JUN		0 < L ≤ 4 ±0.1		TITLE: A02180103(BASE)	
				4 < L ≤ 16 ±0.2		BOBBIN MATERIAL: PHENOLIC	
				16 < L ≤ 63 ±0.3		UL REC. UL 94V-0	
				UNIT: MM		PIN MATERIAL:	
				SCALE:		PIN TENSION LOAD:	
				DATE: 2021.08.16		DRAWING NO. ZX-B133	
				REV. A01			