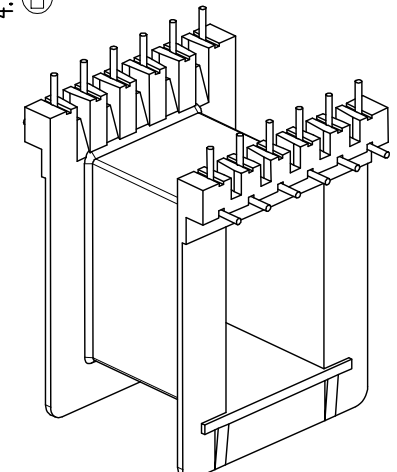
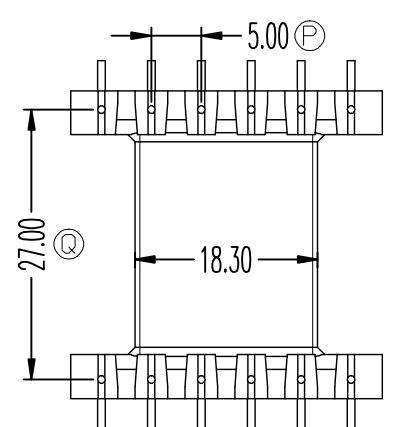
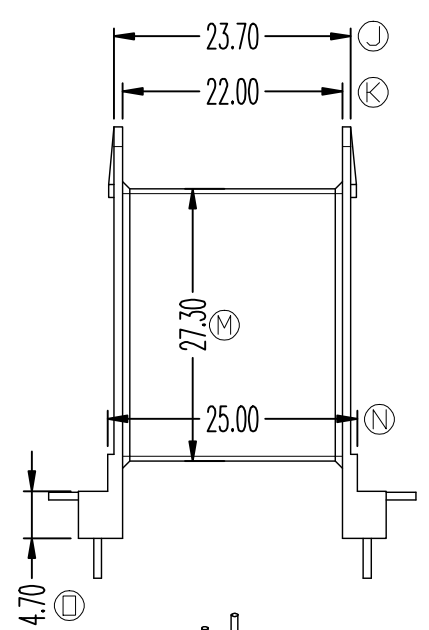
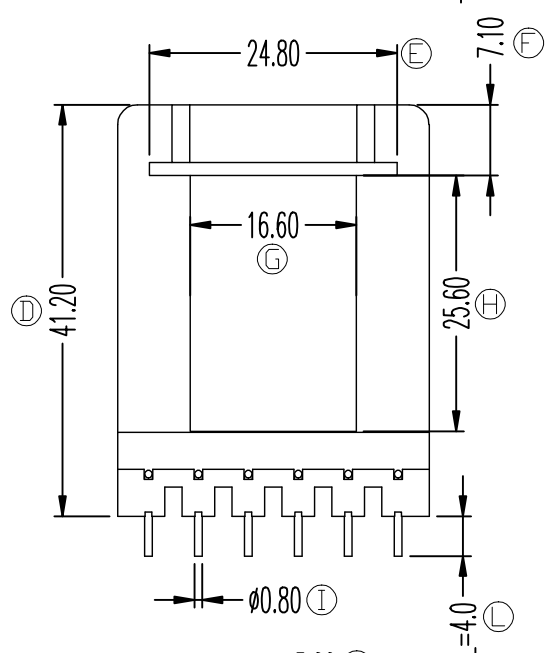
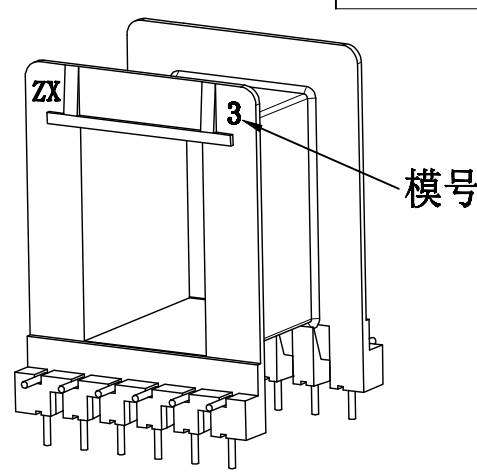
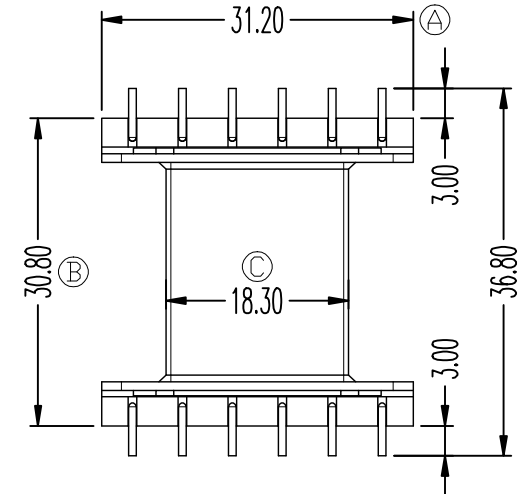


ZX-48D



REV.	REVISIONS	REC.	DATE	REV.	REVISIONS	REC.	DATE
1				4			
2				5			
3				6			
DRAWN & DRAFTED BY	LIU WEI QIANG		TOLERANCES	ANGLE:	TITLE: EI-48X25.5 (6+6P)		
CHECKED & APPROVED BY	LIN JUN		0<L≤4 ±0.1 4<L≤16 ±0.2 16<L≤63 ±0.3	UNIT:	BOBBIN MATERIAL:	UL REC. UL 94V-0	
			pin pitch ±0.2	MM	A3X2G5	PIN TENSION LOAD: 1.0KG MIN	
智信电子塑胶有限公司			SCALE:	PIN MATERIAL:	CP WIRE		
ZHI XIN ELECTRONICS PLASTIC CO., LTD.				DATE:	DRAWING NO.	REV.	
TEL:0769-86389901-2 FAX:0769-86389903				2021.06.29	ZX-48D	A01	