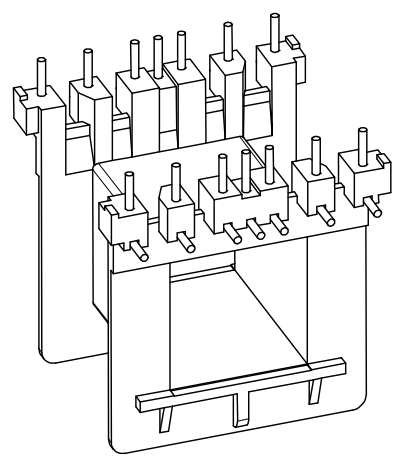
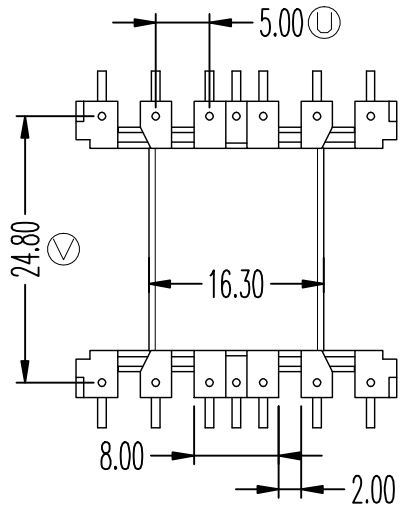
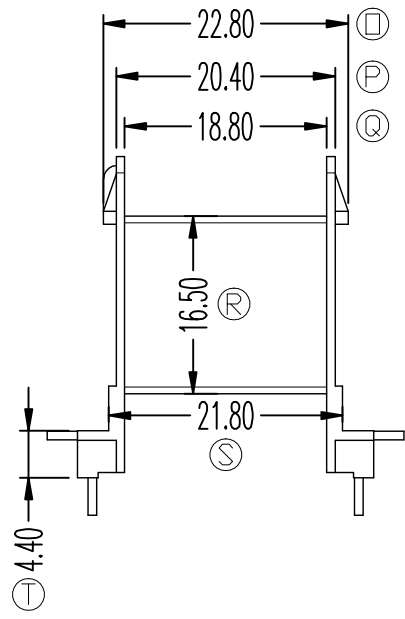
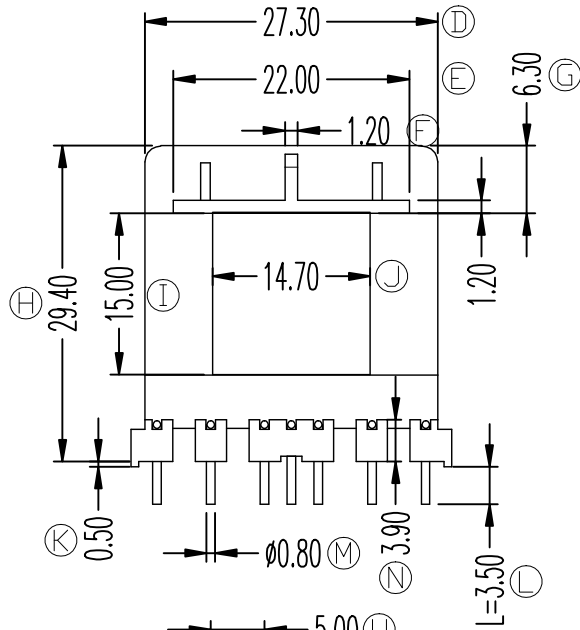
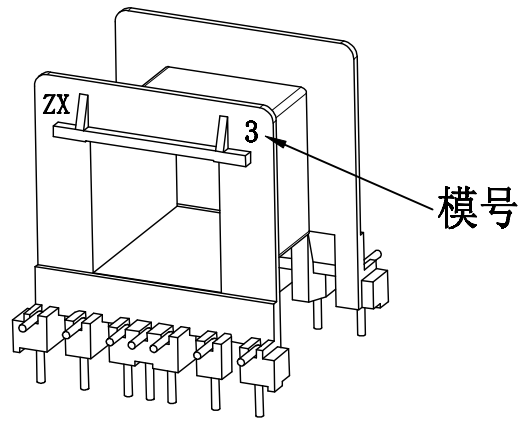
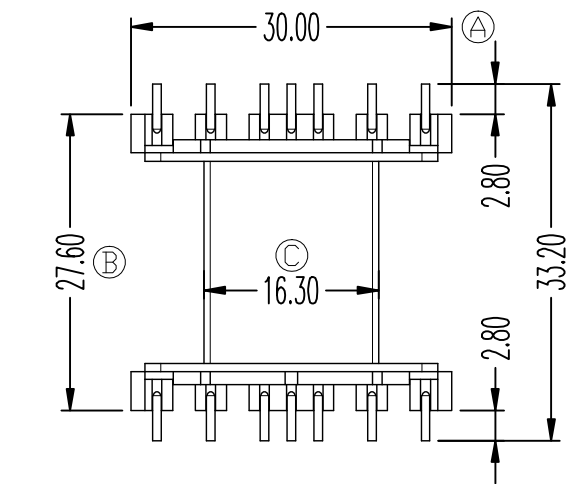


ZX-42W



REV.	REVISIONS	REC.	DATE	REV.	REVISIONS	REC.	DATE
1				4			
2				5			
3				6			
DRAWN & DRAFTED BY	LIU WEI QIANG		TOLERANCES	ANGLE:	TITLE: <b>EI-42X14.8(7+7P)</b>		
CHECKED & APPROVED BY	LIN JUN		0<L≤4 ±0.1 4<L≤16 ±0.2 16<L≤63 ±0.3	±1°	BOBBIN MATERIAL:	A3X2G5	UL REC. UL 94V-0
			pin pitch ±0.2	UNIT:	MM	PIN MATERIAL:	CP WIRE
				SCALE:		PIN TENSION LOAD:	1.0KG MIN
<b>智信电子塑胶有限公司</b> ZHI XIN ELECTRONICS PLASTIC CO., LTD. TEL:0769-86389901-2 FAX:0769-86389903				DATE:	2021.06.29	DRAWING NO.	ZX-42W
						REV.	A01