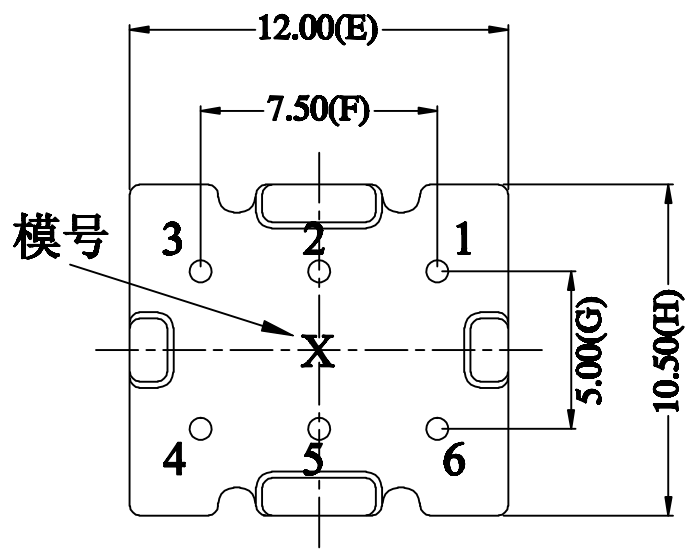
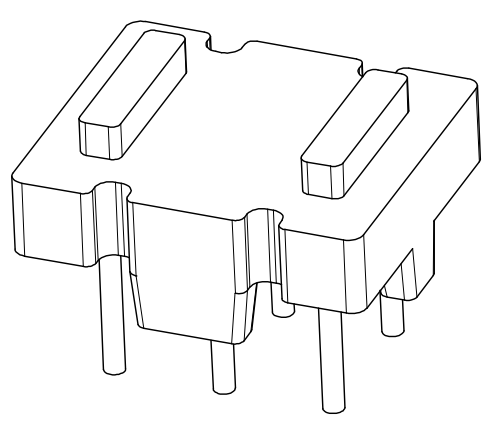
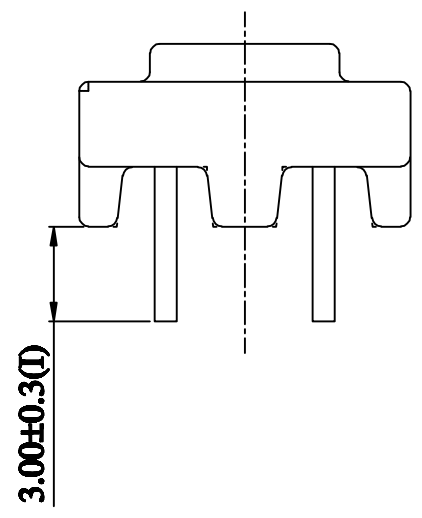
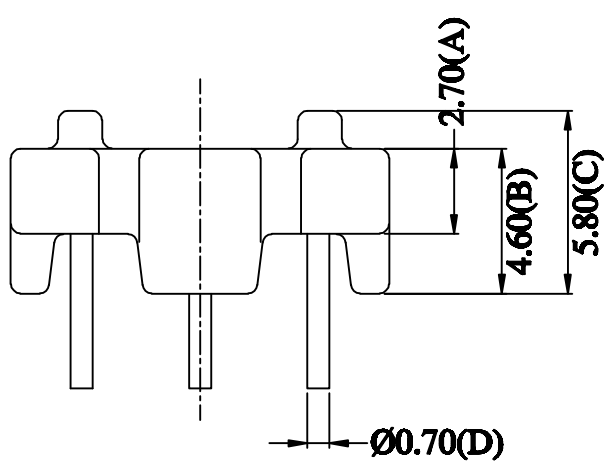
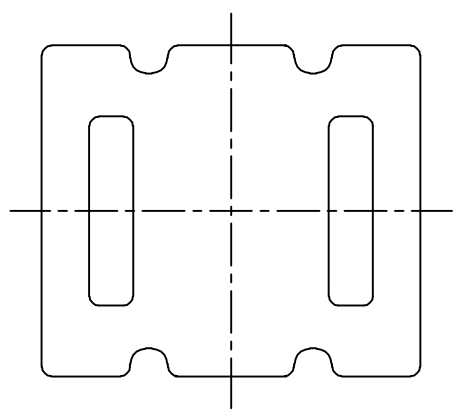


ZX-B129



缺PIN2, 5

REV.	REVISIONS REC.		DATE	REV.	REVISIONS REC.		DATE
1				4			
2				5			
3				6			
DRAWN & DRAFTED BY		LIU WEI QIANG		TOLERANCES		ANGLE: ±1°	
CHECKED & APPROVED BY		LIN JUN		pin pitch		TITLE: BASE(3+3P)	
		0<L≤4 ±0.1		UNIT: MM		BOBBIN MATERIAL: T375HF	
		4<L≤16 ±0.2		SCALE:		UL REC. UL 94V-0	
		16<L≤63 ±0.3		DATE: 2021.06.02		PIN MATERIAL: CP WIRE	
				DRAWING NO. ZX-B129		PIN TENSION LOAD: 1.0KG MIN	
智信电子塑胶有限公司 ZHI XIN ELECTRONICS PLASTIC CO., LTD. TEL:0769-86389901-2 FAX:0769-86389903				REV. A01			