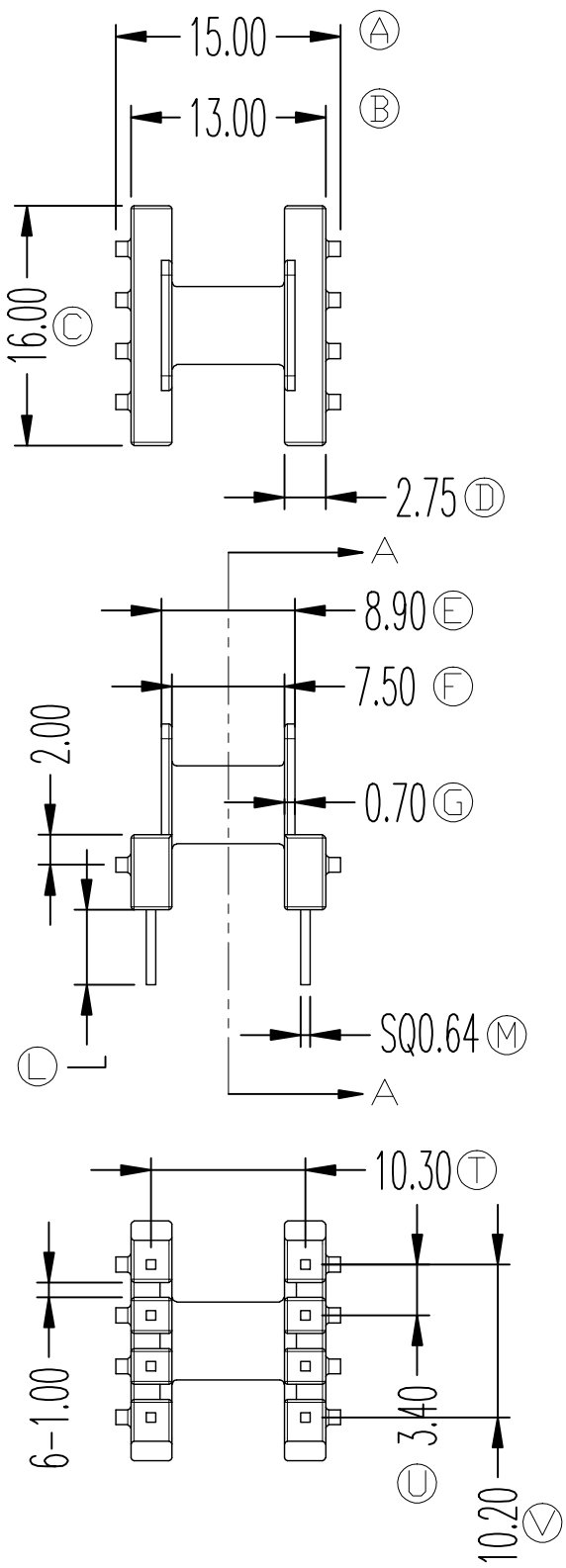
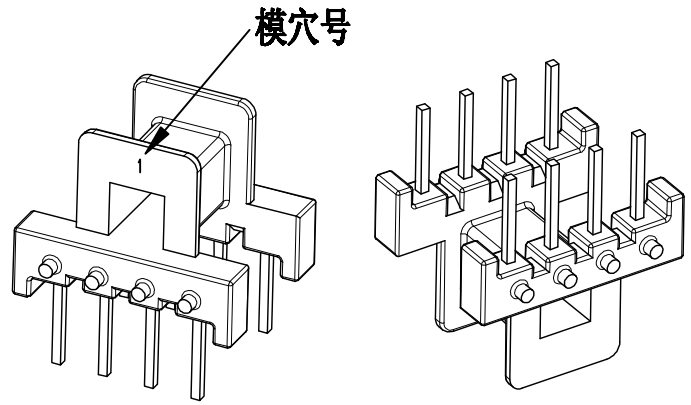
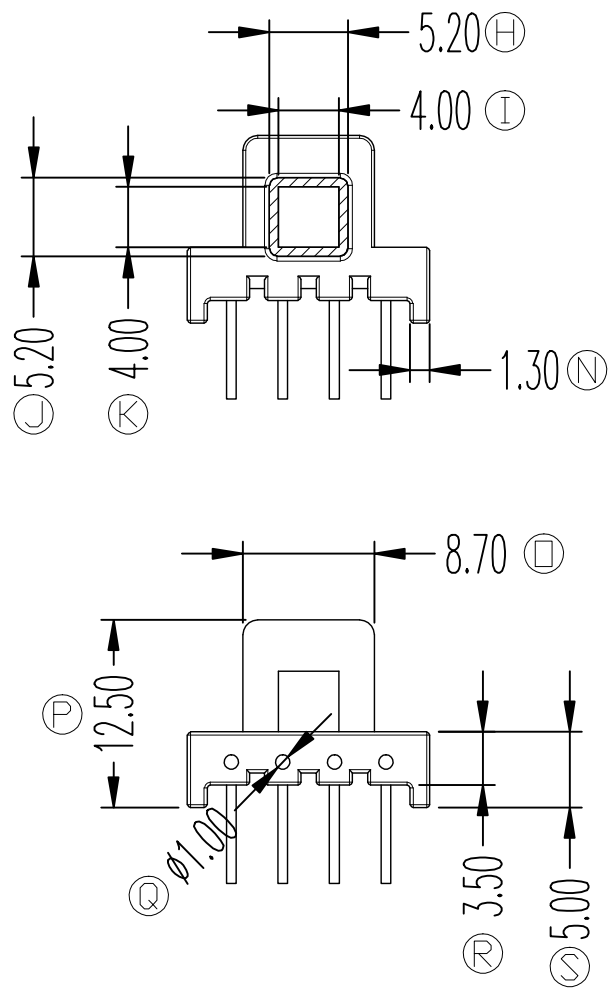


ZX-12.6K



SECTION A-A



REV.	REVISIONS	REC.	DATE	REV.	REVISIONS	REC.	DATE
1				4			
2				5			
3				6			
DRAWN & DRAFTED BY		LIU WEI QIANG		TITLE:		EF-12.6(4+4P)	
CHECKED & APPROVED BY		LIN JUN		UNIT:		MM	
		TOLERANCES		ANGLE:		±1°	
		0<L≤4 ±0.1		BOBBIN MATERIAL:		PHENOLIC	
		4<L≤16 ±0.2		PIN MATERIAL:		CP WIRE	
		16<L≤63 ±0.3		DATE:		2020.04.17	
		pin pitch ±0.2		DRAWING NO.:		ZX-12.6K	
				REV.:		A01	

ZXE 智信电子塑胶有限公司
 ZHI XIN ELECTRONICS PLASTIC CO., LTD.
 TEL:0769-86389901-2 FAX:0769-86389903