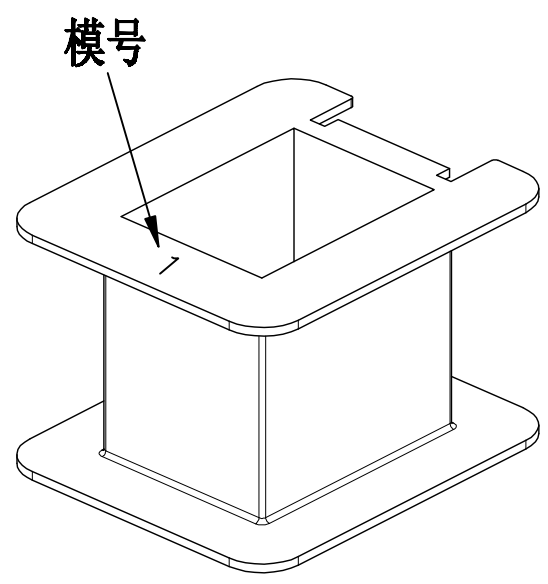
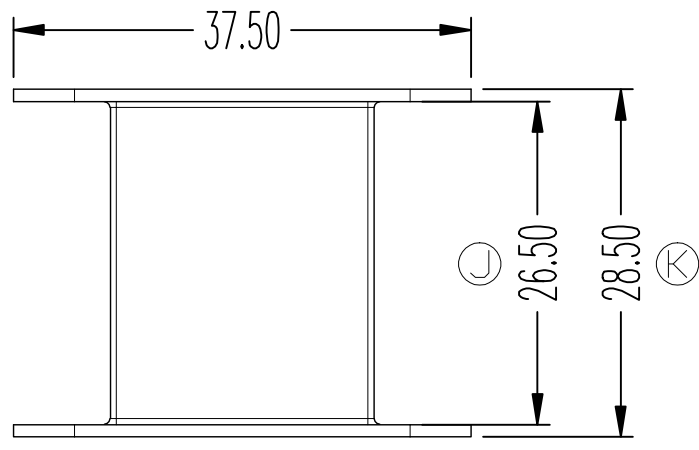
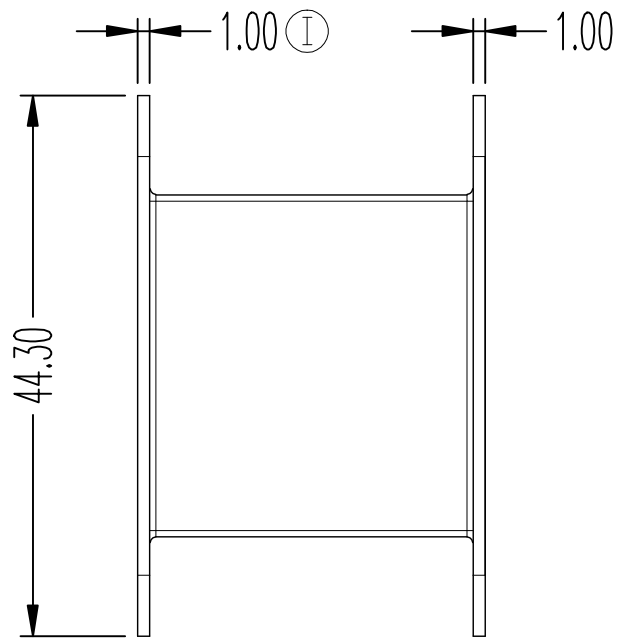
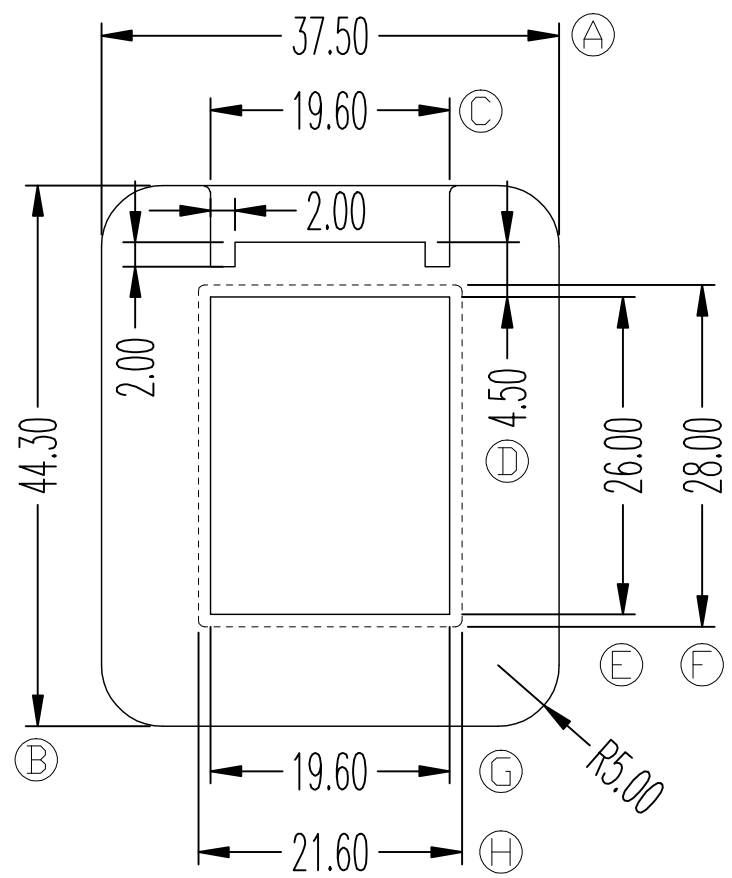


ZX-57B



REV.	REVISIONS	REC.	DATE	REV.	REVISIONS	REC.	DATE
1				4			
2				5			
3				6			
DRAWN & DRAFTED BY		LIU WEI QIANG		TOLERANCES		ANGLE: $\pm 1^\circ$	
CHECKED & APPROVED BY		LIN JUN		0 < L ≤ 4 ±0.1		TITLE: <b>EI-57 (BOBBIN)</b>	
				4 < L ≤ 16 ±0.2		BOBBIN MATERIAL: FR530	
				16 < L ≤ 63 ±0.3		UL REC. UL 94V-0	
				UNIT: MM		PIN MATERIAL:	
				SCALE:		PIN TENSION LOAD:	
<b>智信电子塑胶有限公司</b> ZHI XIN ELECTRONICS PLASTIC CO., LTD. TEL:0769-86389901-2 FAX:0769-86389903				DATE: 2021.02.24		DRAWING NO. ZX-57B	
						REV. A01	