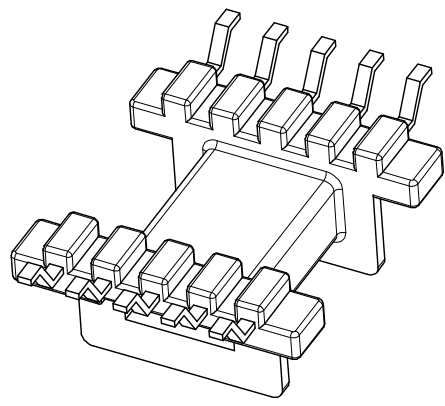
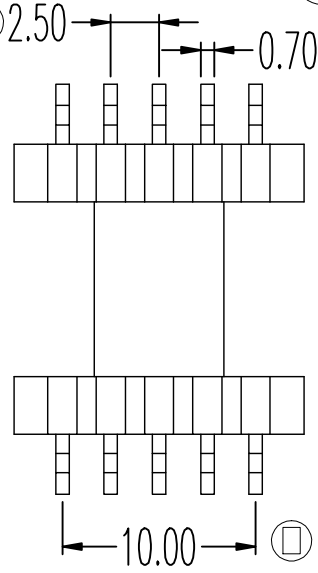
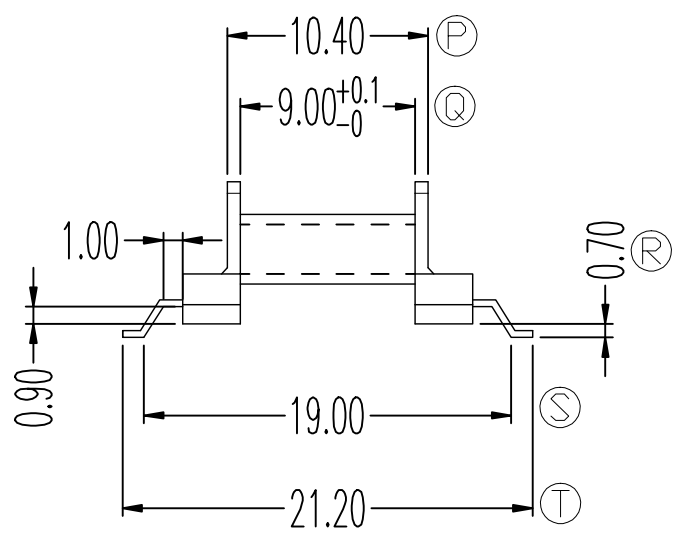
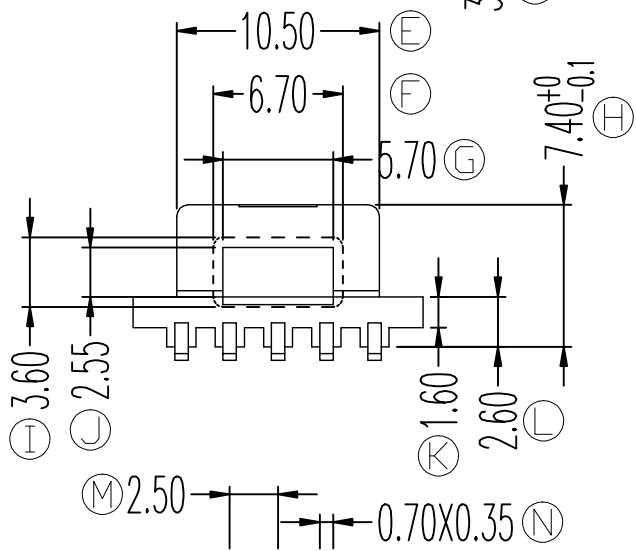
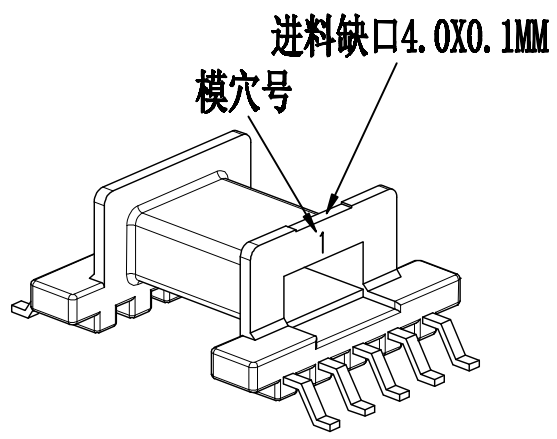
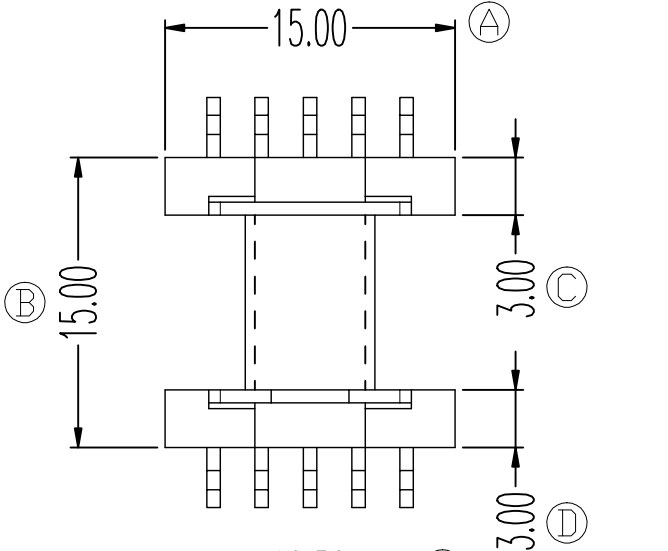


ZXS-15F



REV.	REVISIONS		REC.	DATE	REV.	REVISIONS		REC.	DATE
1					4				
2					5				
3					6				
DRAWN & DRAFTED BY	LIU WEI QIANG		TOLERANCES	ANGLE: $\pm 1^\circ$	TITLE: SMD EFD-15(5+5P)				
CHECKED & APPROVED BY	LIN JUN				0<L≤4 ±0.1	UNIT: MM	BOBBIN MATERIAL: PHENOLIC	UL REC. UL 94V-0	
			4<L≤16 ±0.2	pin pitch ±0.2	PIN MATERIAL: CP WIRE		PIN TENSION LOAD: 1.0KG MIN		
			16<L≤63 ±0.3	SCALE:	DATE: 2020.06.01	DRAWING NO. ZXS-15F	REV. A01		