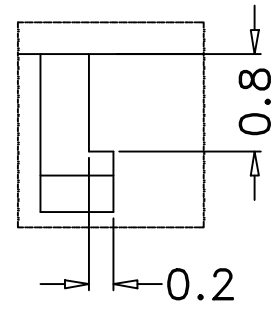
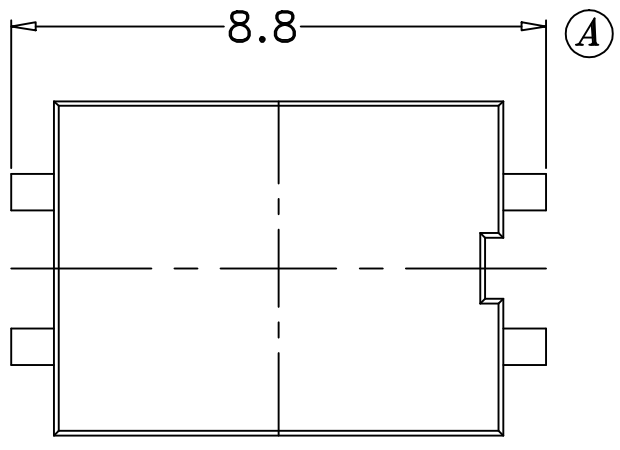
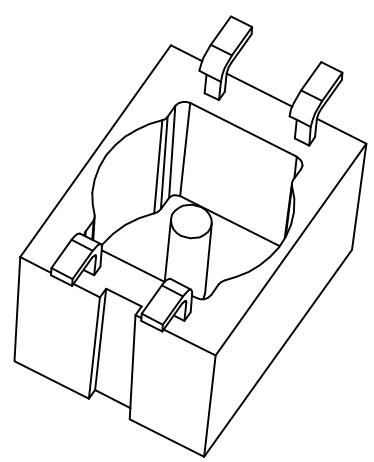
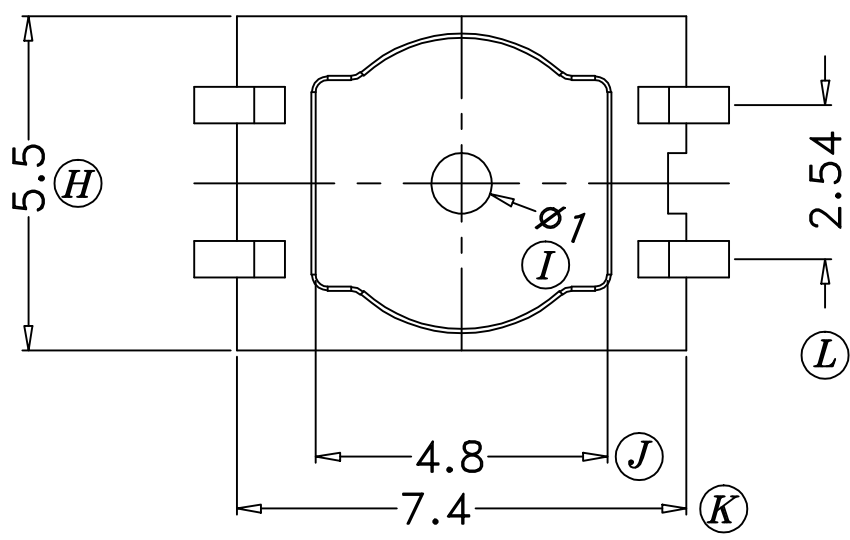
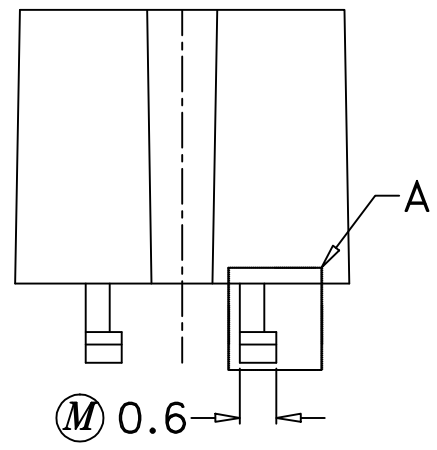
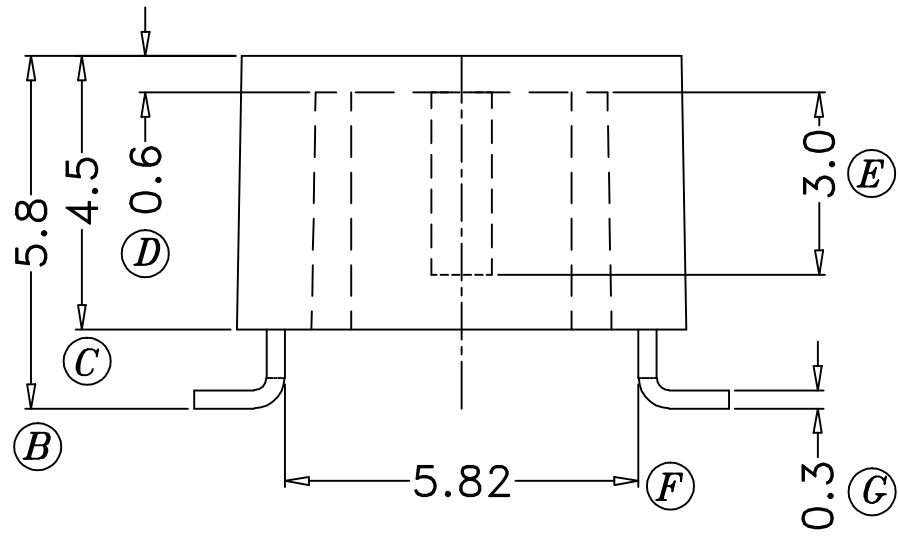


ZX-C078



$\frac{A}{2:1}$



REV.	REVISIONS	REC.	DATE	REV.	REVISIONS	REC.	DATE
1				4			
2				5			
3				6			

DRAWN & DRAFTED BY <b>LIU WEI QIANG</b>	TOLERANCES		ANGLE:	TITLE:		
	$0 < L \leq 4 \pm 0.1$	pin pitch $\pm 0.2$	$\pm 1^\circ$	CASE(2+2P)		
CHECKED & APPROVED BY <b>LIN JUN</b>	$4 < L \leq 16 \pm 0.2$		UNIT:	BOBBIN MATERIAL:	UL REC. UL 94V-0	
	$16 < L \leq 63 \pm 0.3$		MM	DAP8100		
<b>智信电子塑胶有限公司</b> ZHI XIN ELECTRONICS PLASTIC CO., LTD. TEL:0769-86389901-2 FAX:0769-86389903			SCALE:	PIN MATERIAL:	PIN TENSION LOAD: 1.0KG MIN	
				CP WIRE		
			DATE:	DRAWING NO.	REV.	
			2020.12.22	ZX-C078	A01	