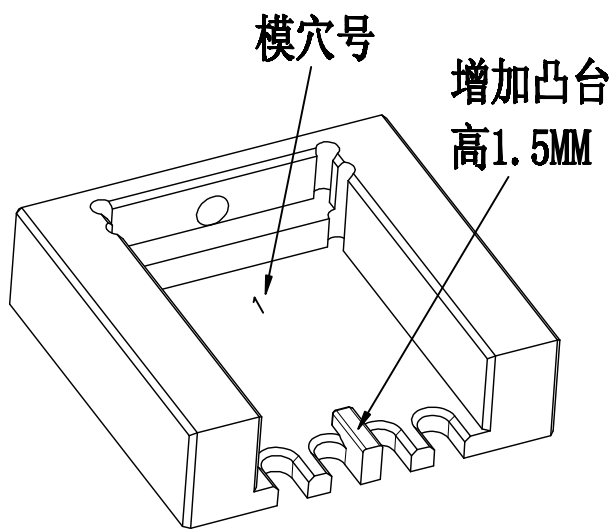
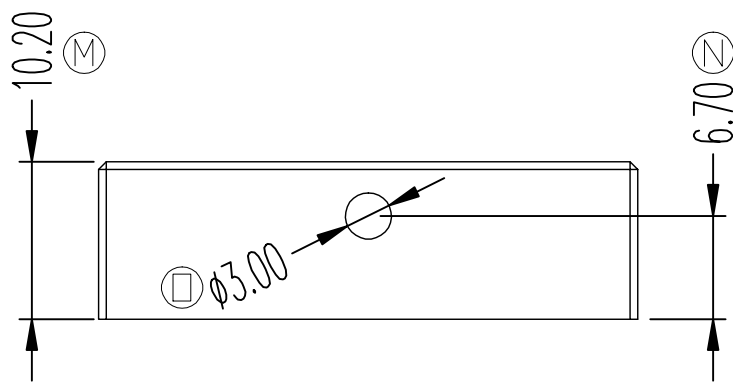
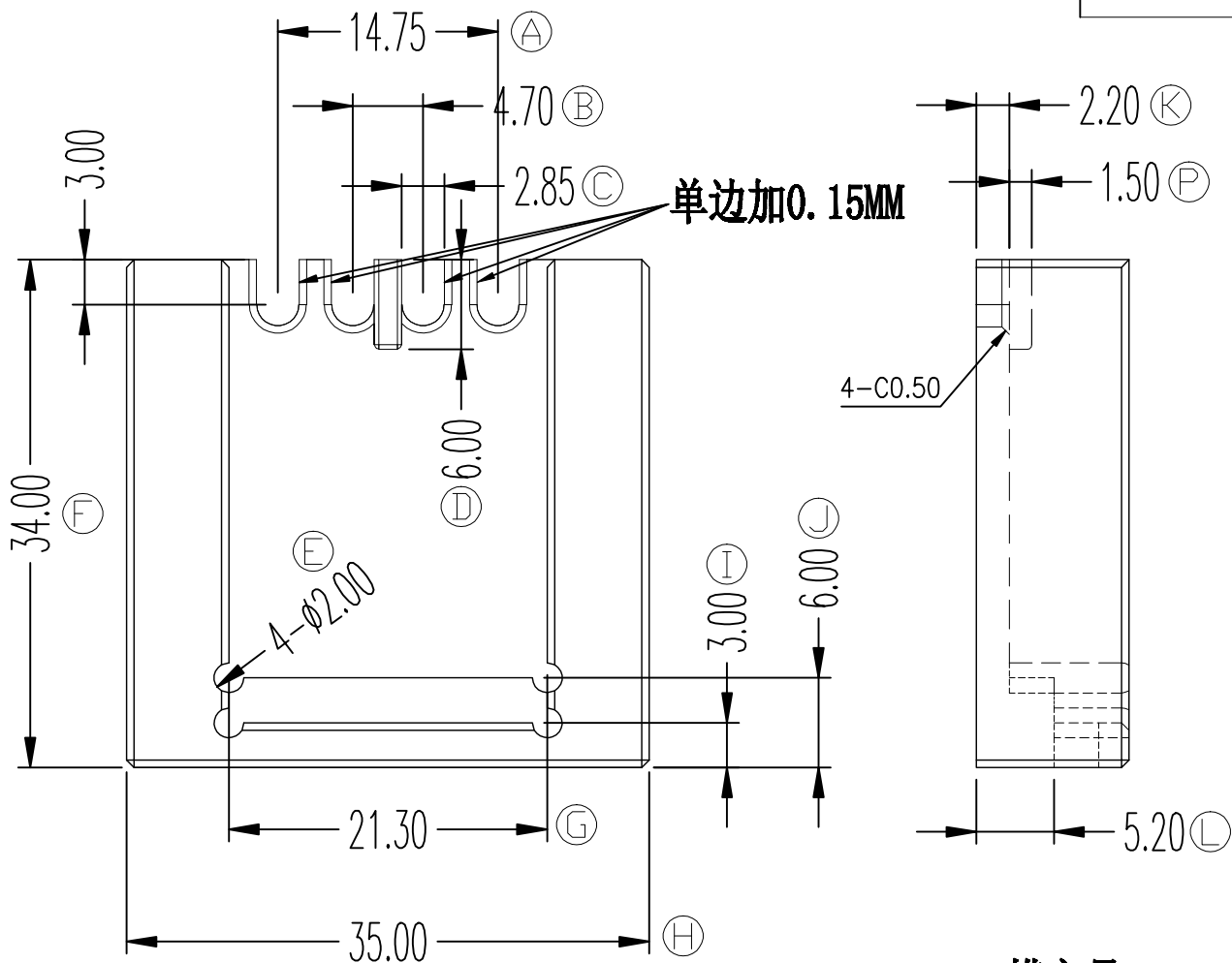


ZX-C077



REV.	REVISIONS REC.	DATE	REV.	REVISIONS REC.	DATE
1	单边加0.15MM, 尺寸Ⓐ14.60改为14.75MM	2020.10.20	4		
2	尺寸Ⓑ4.85改为4.70MM, 尺寸Ⓒ3.00改为2.85MM	2020.10.20	5		
3	增加凸台高1.5MM, 增加尺寸Ⓟ1.50MM	2020.10.20	6		
DRAWN & DRAFTED BY		TOLERANCES		ANGLE:	
LIU WEI QIANG		0<L≤4 ±0.1		±1°	
CHECKED & APPROVED BY		4<L≤16 ±0.2		UNIT:	
LIN JUN		16<L≤63 ±0.3		MM	
TITLE:		BOBBIN MATERIAL:		UL REC.	
228-385		PHENOLIC		UL 94V-0	
SCALE:		PIN MATERIAL:		PIN TENSION LOAD:	
DATE:		DRAWING NO.		REV.	
2020.10.20		ZX-C077		A02	

ZXE 智信电子塑胶有限公司
 ZHI XIN ELECTRONICS PLASTIC CO., LTD.
 TEL:0769-86389901-2 FAX:0769-86389903