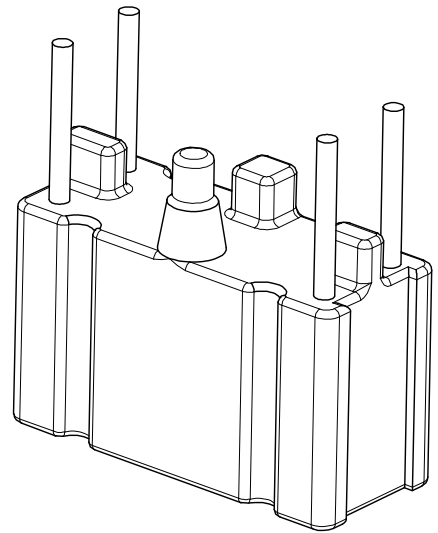
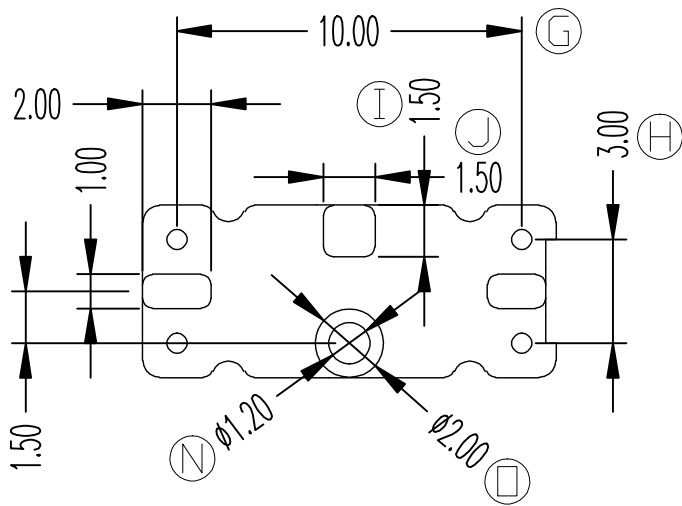
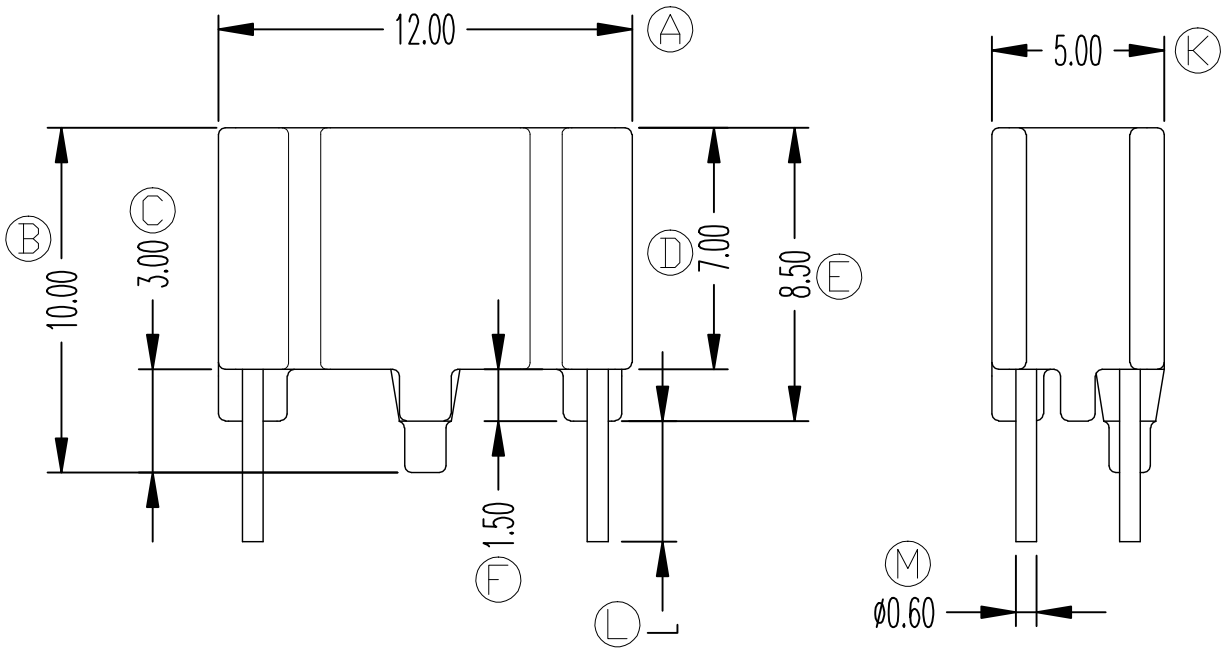


ZX-B124



REV.	REVISIONS REC.		DATE	REV.	REVISIONS REC.		DATE
1				4			
2				5			
3				6			
DRAWN & DRAFTED BY	LIU WEI QIANG	TOLERANCES	ANGLE:	TITLE: BASE(4P)			
CHECKED & APPROVED BY	LIN JUN	0<L≤4 ±0.1	±1°	BOBBIN MATERIAL:	PM-9630	UL REC.	UL 94V-0
		4<L≤16 ±0.2	UNIT:	PIN MATERIAL:	CP WIRE	PIN TENSION LOAD:	0.8KG MIN
		16<L≤63 ±0.3	MM	SCALE:			
智信电子塑胶有限公司 ZHI XIN ELECTRONICS PLASTIC CO., LTD. TEL:0769-86389901-2 FAX:0769-86389903			DATE: 2020.10.10	DRAWING NO. ZX-B124	REV. A01		