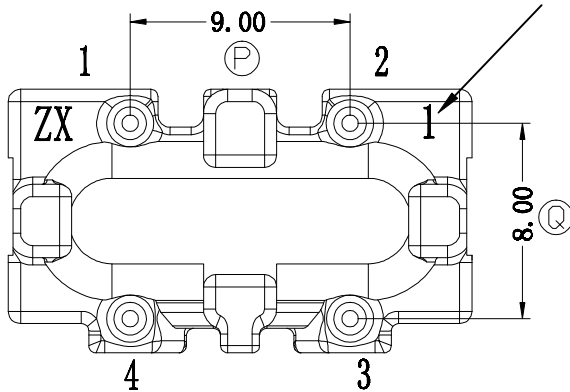
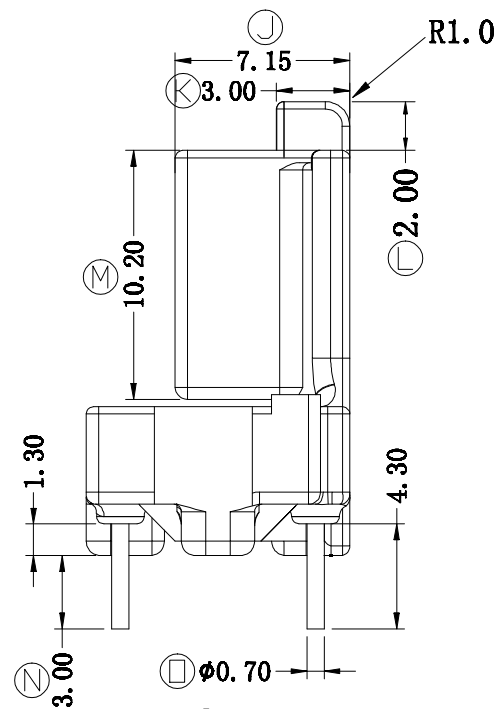
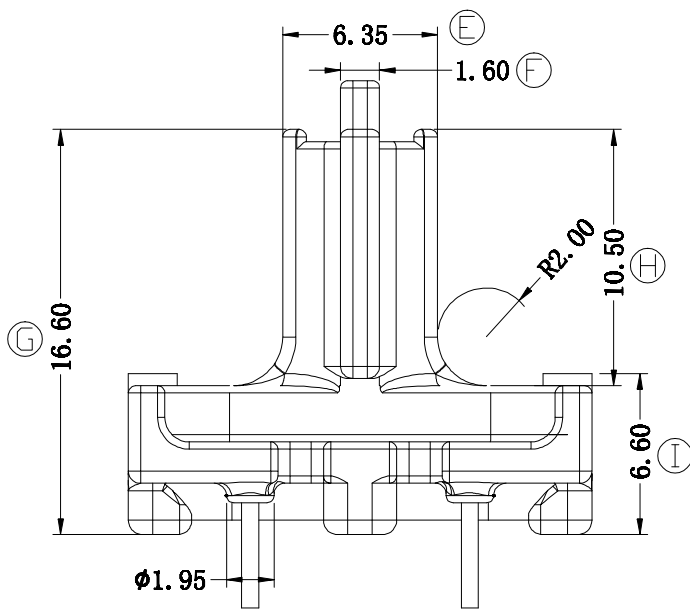
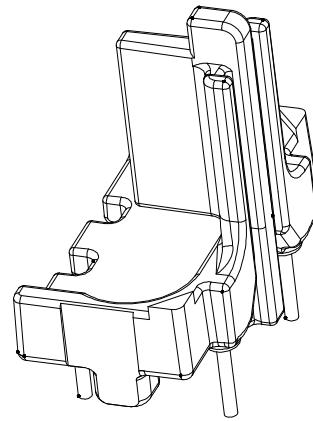
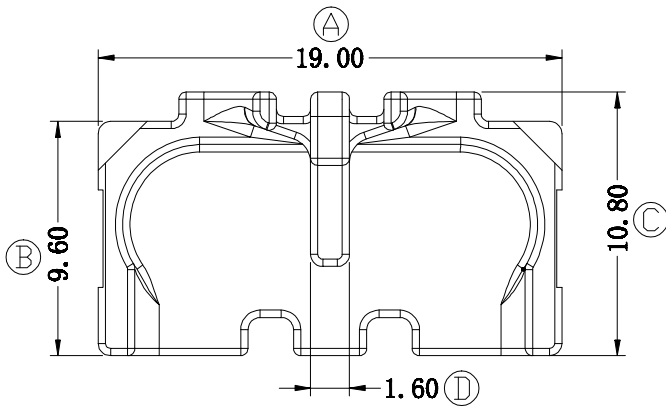
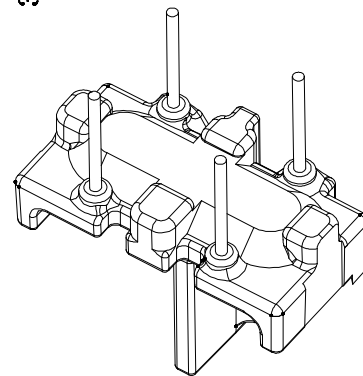


ZX-B122



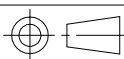
模穴号



REV.	REVISIONS		REC.	DATE	REV.	REVISIONS		REC.	DATE
1					4				
2					5				
3					6				
DRAWN & DRAFTED BY		LIU WEI QIANG		TOLERANCES		ANGLE:		TITLE:	
CHECKED & APPROVED BY		LIN JUN		0<L≤4 ±0.1 4<L≤16 ±0.2 16<L≤63 ±0.3		±1°		SQ-15(4P)	
				pin pitch ±0.2		UNIT:		BOBBIN MATERIAL:	
						MM		PHENOLIC	
						SCALE:		UL REC. UL 94V-0	
								PIN TENSION LOAD: 1.0KG MIN	
						DATE:		DRAWING NO.	
						2020.03.03		ZX-B122	
								REV. A01	



智信电子塑胶有限公司
ZHI XIN ELECTRONICS PLASTIC CO., LTD.
TEL:0769-86389901-2 FAX:0769-86389903



DATE: 2020.03.03

DRAWING NO. ZX-B122

REV. A01