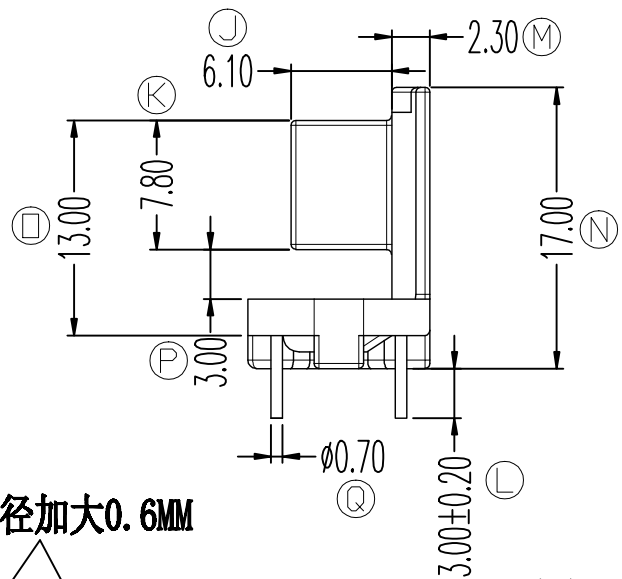
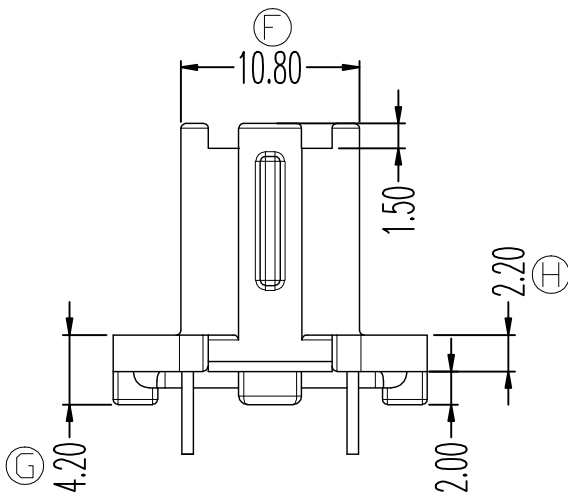
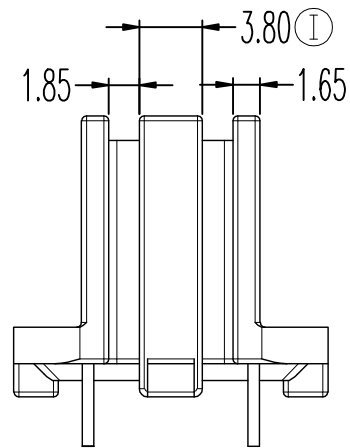
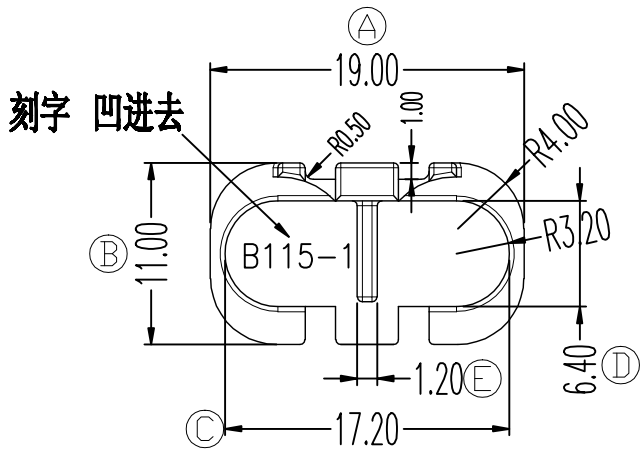
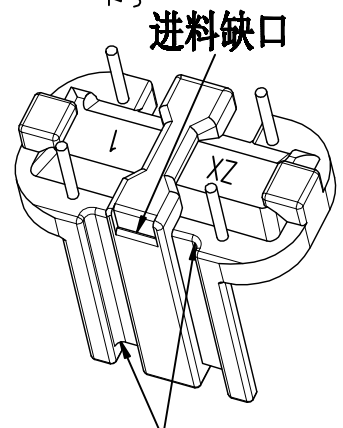
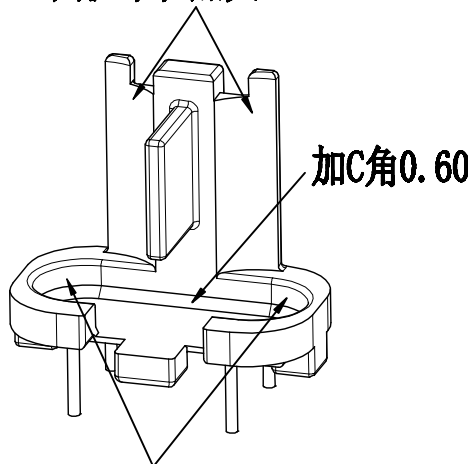
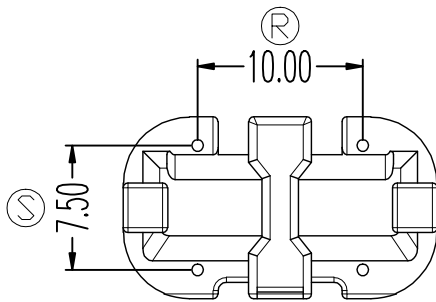


ZX-B115-1



圆弧半径加大0.6MM



内侧整圈单边加大0.3MM

槽深加胶0.5MM, 加R角0.50

REV.	REVISIONS REC.		DATE	REV.	REVISIONS REC.		DATE
1				4			
2				5			
3				6			
DRAWN & DRAFTED BY	LIU WEI QIANG		TOLERANCES		ANGLE:	TITLE: SQ-1515(2+2P)	
CHECKED & APPROVED BY	LIN JUN		0<L≤4 ±0.1	pin pitch ±0.2	±1°	BOBBIN MATERIAL: PHENOLIC	UL REC. UL 94V-0
			4<L≤16 ±0.2		MM	PIN MATERIAL: CP WIRE	PIN TENSION LOAD: 1.0KG MIN
			16<L≤63 ±0.3			SCALE:	DATE: 2020.09.08
智信电子塑胶有限公司 ZHI XIN ELECTRONICS PLASTIC CO., LTD. TEL:0769-86389901-2 FAX:0769-86389903						DRAWING NO. ZX-B115-1	REV. A01