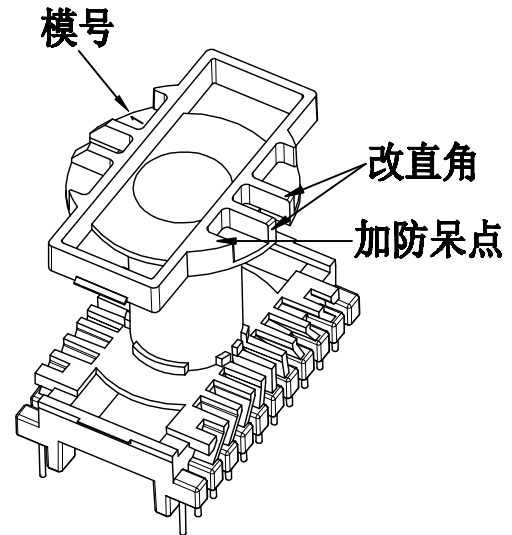
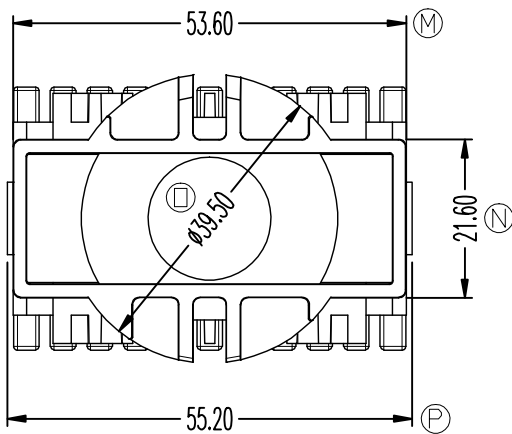
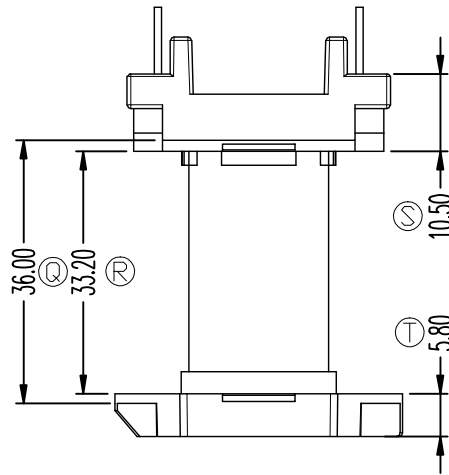
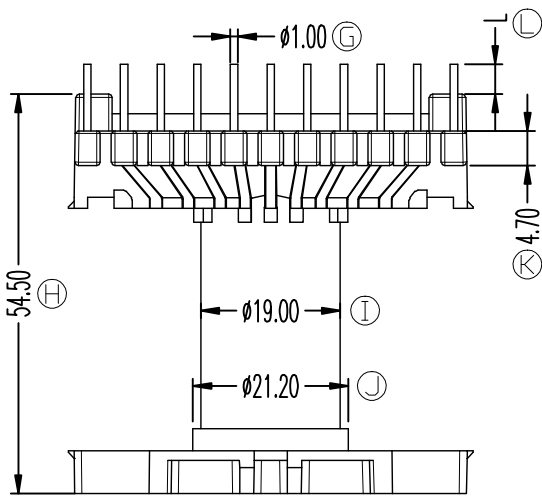
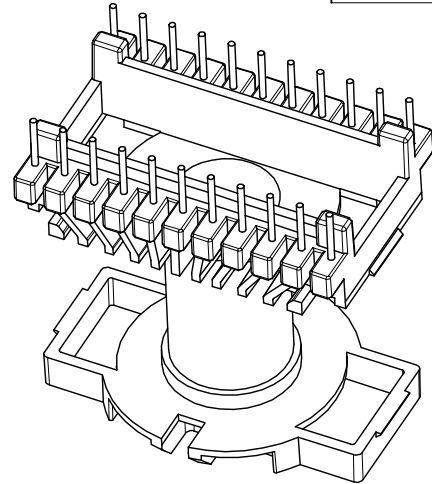
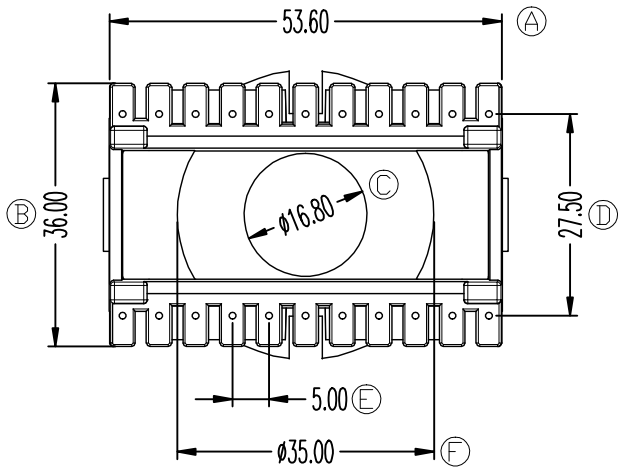


ZX-49E

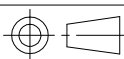


REV.	REVISIONS	REC.	DATE	REV.	REVISIONS	REC.	DATE
1				4			
2				5			
3				6			
DRAWN & DRAFTED BY		LIU WEI QIANG	TOLERANCES		ANGLE:		TITLE:
CHECKED & APPROVED BY		LIN JUN	0 < L ≤ 4 ±0.1		±1°		ETD-49(11+11P)
			4 < L ≤ 16 ±0.2		UNIT:	MM	BOBBIN MATERIAL:
			16 < L ≤ 63 ±0.3				PHENOLIC
					SCALE:		UL REC.
							UL 94V-0
							PIN MATERIAL:
							CP WIRE
							PIN TENSION LOAD:
							1.5KG MIN
							DATE:
							2020.10.08
							DRAWING NO.
							ZX-49E
							REV.
							A01



智信电子塑胶有限公司

ZHI XIN ELECTRONICS PLASTIC CO., LTD.  
TEL: 0769-86389901-2 FAX: 0769-86389903



DATE: 2020.10.08

DRAWING NO. ZX-49E

REV. A01