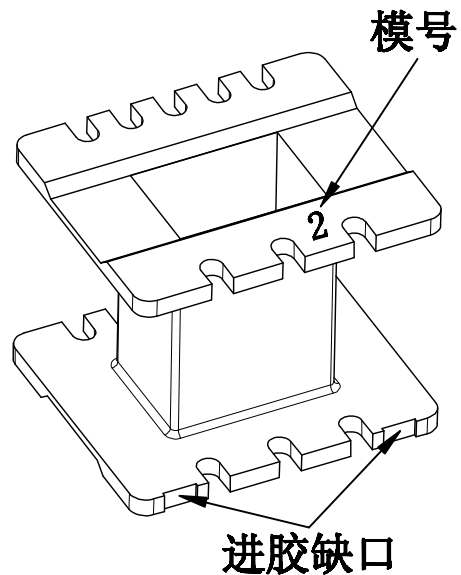
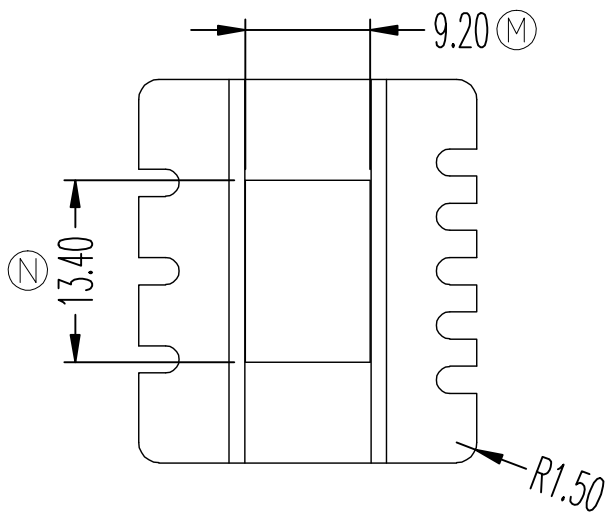
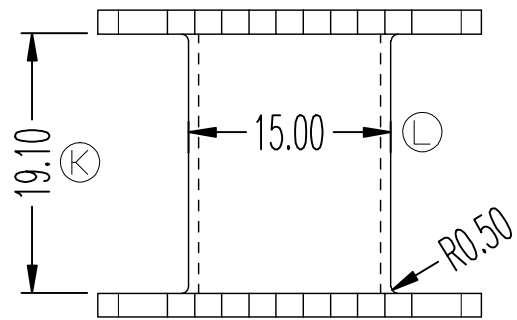
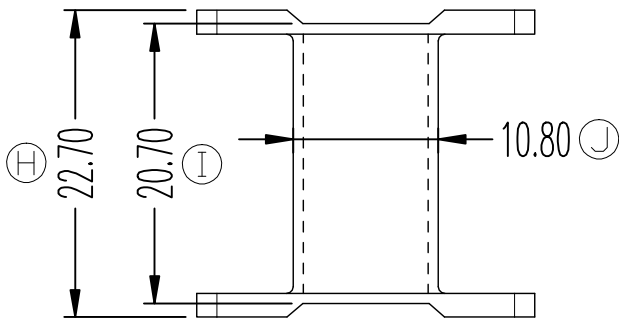
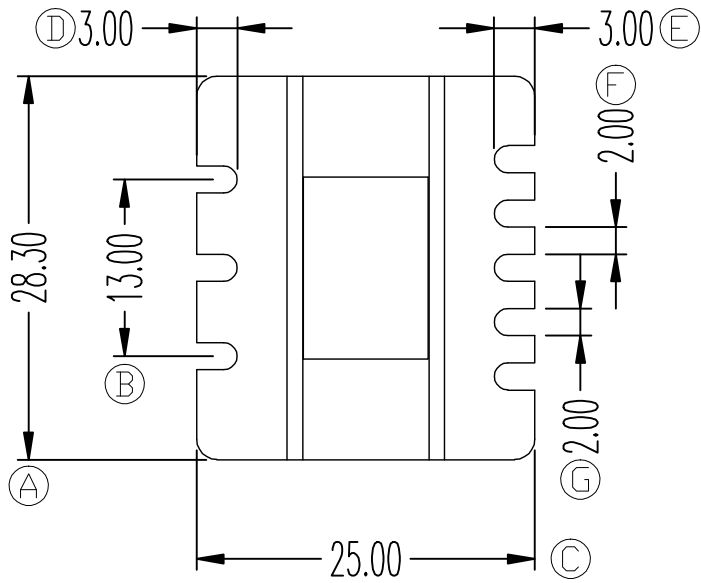


ZX-41J



REV.	REVISIONS REC.		DATE	REV.	REVISIONS REC.		DATE	
1				4				
2				5				
3				6				
DRAWN & DRAFTED BY		LIU WEI QIANG	TOLERANCES		ANGLE: $\pm 1^\circ$			TITLE: <b>EI-41*9 (BN)</b>
CHECKED & APPROVED BY		LIN JUN	0 < L ≤ 4 ±0.1		UNIT: MM	BOBBIN MATERIAL: 70G33L	UL REC. UL 94V-0	
			4 < L ≤ 16 ±0.2		SCALE:	PIN MATERIAL:	PIN TENSION LOAD:	
			16 < L ≤ 63 ±0.3					
<b>智信电子塑胶有限公司</b> ZHI XIN ELECTRONICS PLASTIC CO., LTD. TEL:0769-86389901-2 FAX:0769-86389903				DATE: 2020.11.16	DRAWING NO. ZX-41J	REV. A01		