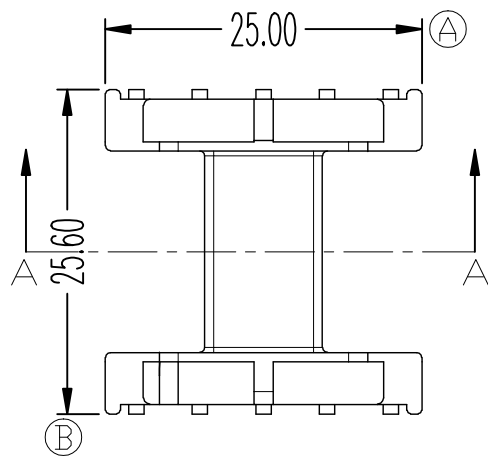
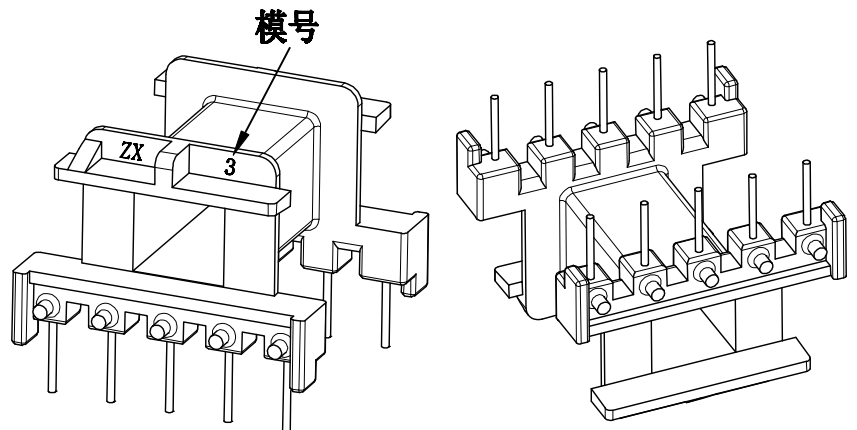
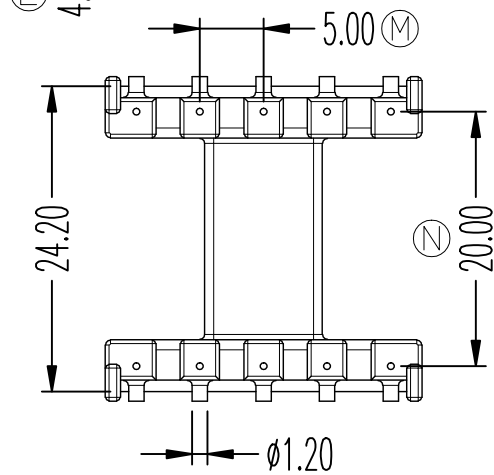
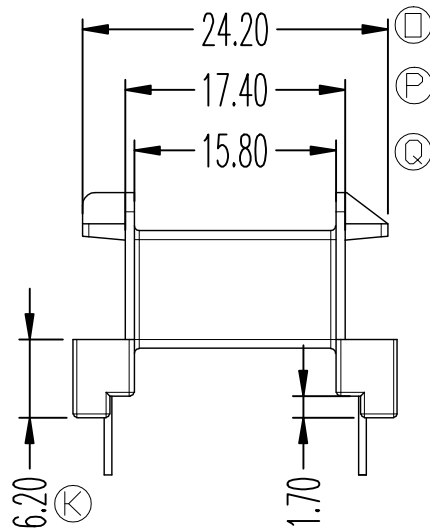
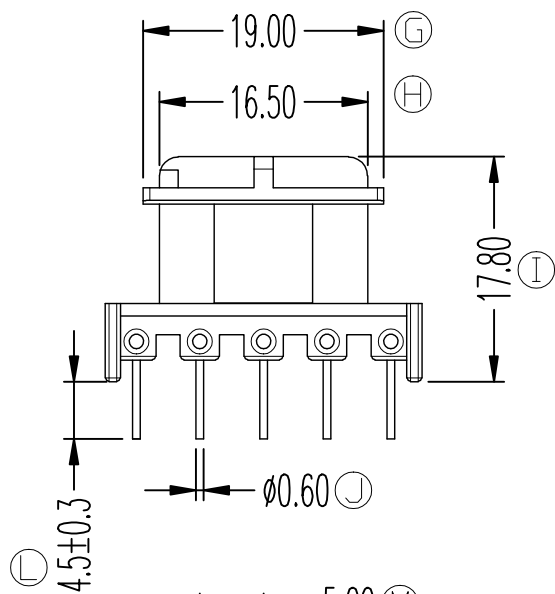
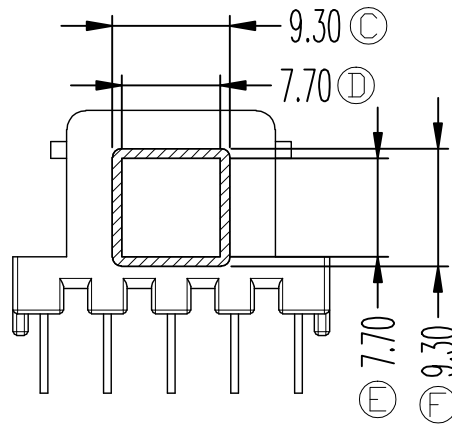


ZX-25CB



SECTION A-A



REV.	REVISIONS	REC.	DATE	REV.	REVISIONS	REC.	DATE
1				4			
2				5			
3				6			

DRAWN & DRAFTED BY LIU WEI QIANG	TOLERANCES 0 < L ≤ 4 ± 0.1 4 < L ≤ 16 ± 0.2 16 < L ≤ 63 ± 0.3	ANGLE: ± 1°	TITLE: EF-25(5+5P)		
		UNIT: MM	BOBBIN MATERIAL: PHENOLIC	UL REC. UL 94V-0	
CHECKED & APPROVED BY LIN JUN		SCALE:	PIN MATERIAL: CP WIRE	PIN TENSION LOAD: 0.8KG MIN	
智信电子塑胶有限公司 ZHI XIN ELECTRONICS PLASTIC CO., LTD. TEL:0769-86389901-2 FAX:0769-86389903			DATE: 2021.01.03	DRAWING NO. ZX-25CB	REV. A01