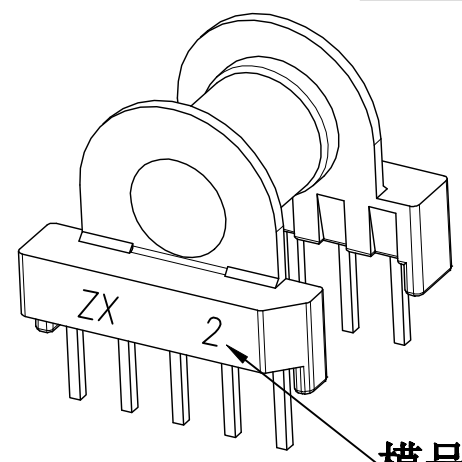
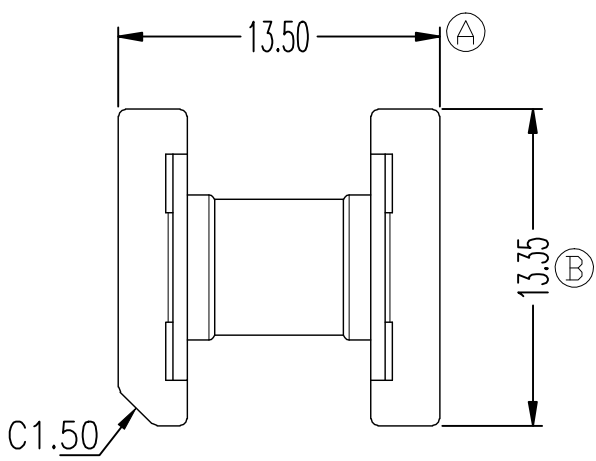
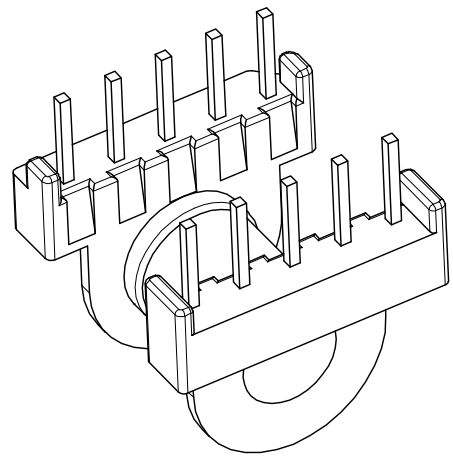
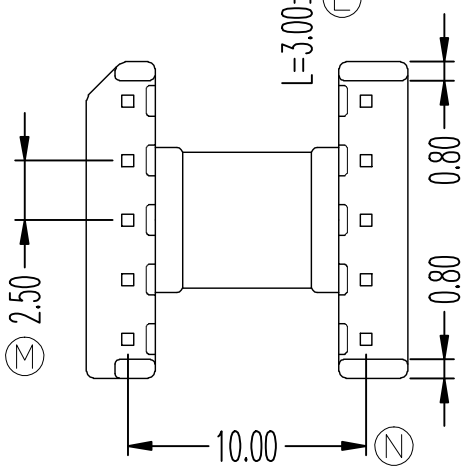
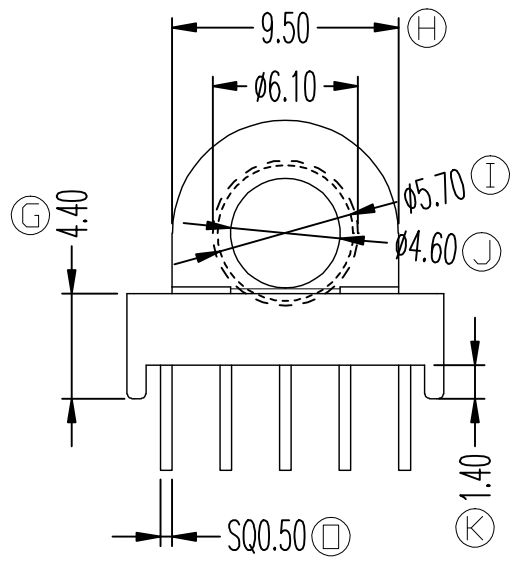
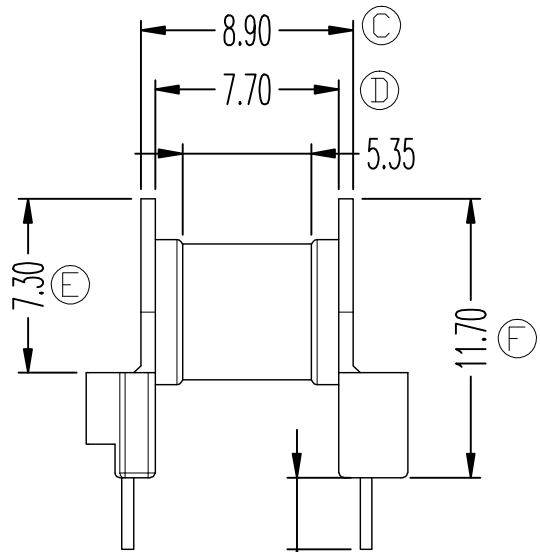


ZX-13BL



模号



REV.	REVISIONS	REC.	DATE	REV.	REVISIONS	REC.	DATE
1				4			
2				5			
3				6			

DRAWN & DRAFTED BY <b>LIU WEI QIANG</b>	TOLERANCES 0<L≤4 ±0.1 4<L≤16 ±0.2 16<L≤63 ±0.3	ANGLE: ±1°	TITLE: <b>EP-13(5+5P)VDE</b>	
		UNIT: MM	BOBBIN MATERIAL: PHENOLIC	UL REC. UL 94V-0
CHECKED & APPROVED BY <b>LIN JUN</b>		SCALE:	PIN MATERIAL: CP WIRE	PIN TENSION LOAD: 1.0KG MIN
<b>智信电子塑胶有限公司</b> <b>ZHI XIN ELECTRONICS PLASTIC CO., LTD.</b> TEL:0769-86389901-2 FAX:0769-86389903			DATE: 2020.12.02	DRAWING NO. ZX-13BL
			REV. A01	