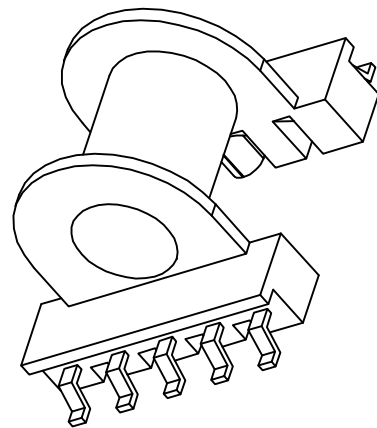
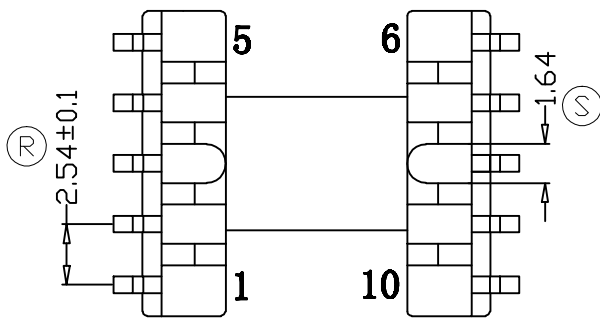
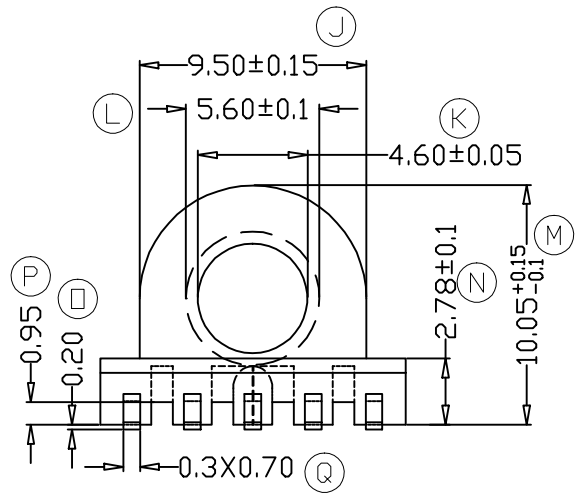
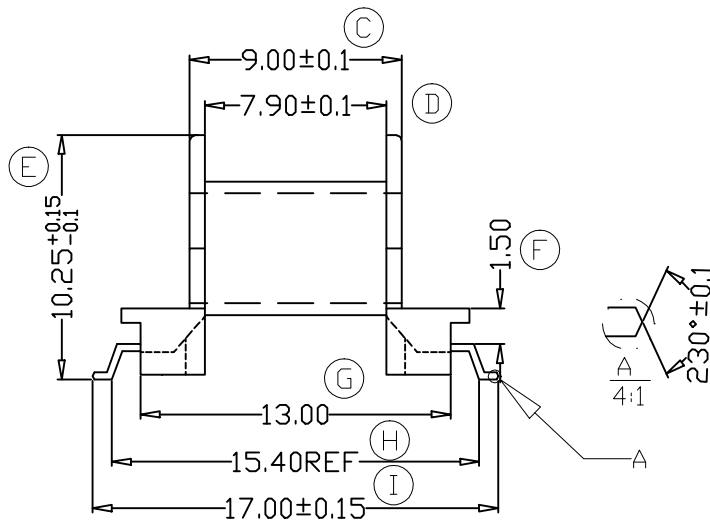
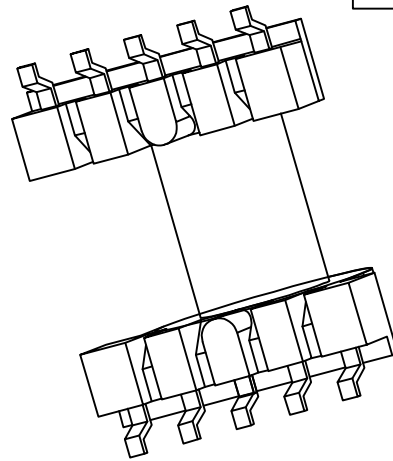
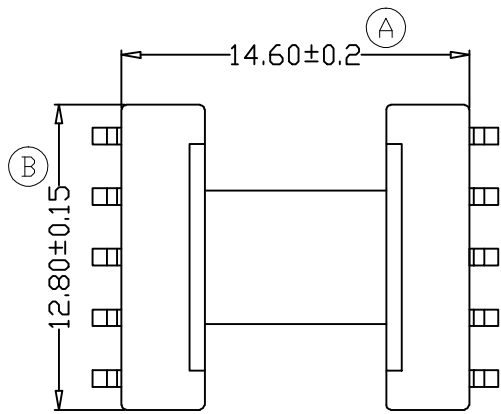


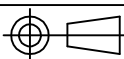
ZXS-13F



REV.	REVISIONS	REC.	DATE	REV.	REVISIONS	REC.	DATE		
1				4					
2				5					
3				6					
DRAWN & DRAFTED BY		LIU WEI QIANG		TOLERANCES		ANGLE: ±1°		TITLE: EP-13(5+5P)	
CHECKED & APPROVED BY		MA BU JIAN		0<L≤4 ±0.1 4<L≤16 ±0.2 16<L≤63 ±0.3		pin pitch ±0.2		BOBBIN MATERIAL: PM-9630	
				UNIT: MM		SCALE:		UL REC. UL 94V-0	
				DATE: 2019.11.22		DRAWING NO. ZXS-13F		PIN TENSION LOAD: 1.0KG MIN	
				REV. A01					



智信电子塑胶有限公司
ZHI XIN ELECTRONICS PLASTIC CO., LTD.
 TEL:0769-86389901-2 FAX:0769-86389903



DATE: 2019.11.22

DRAWING NO. ZXS-13F

REV. A01